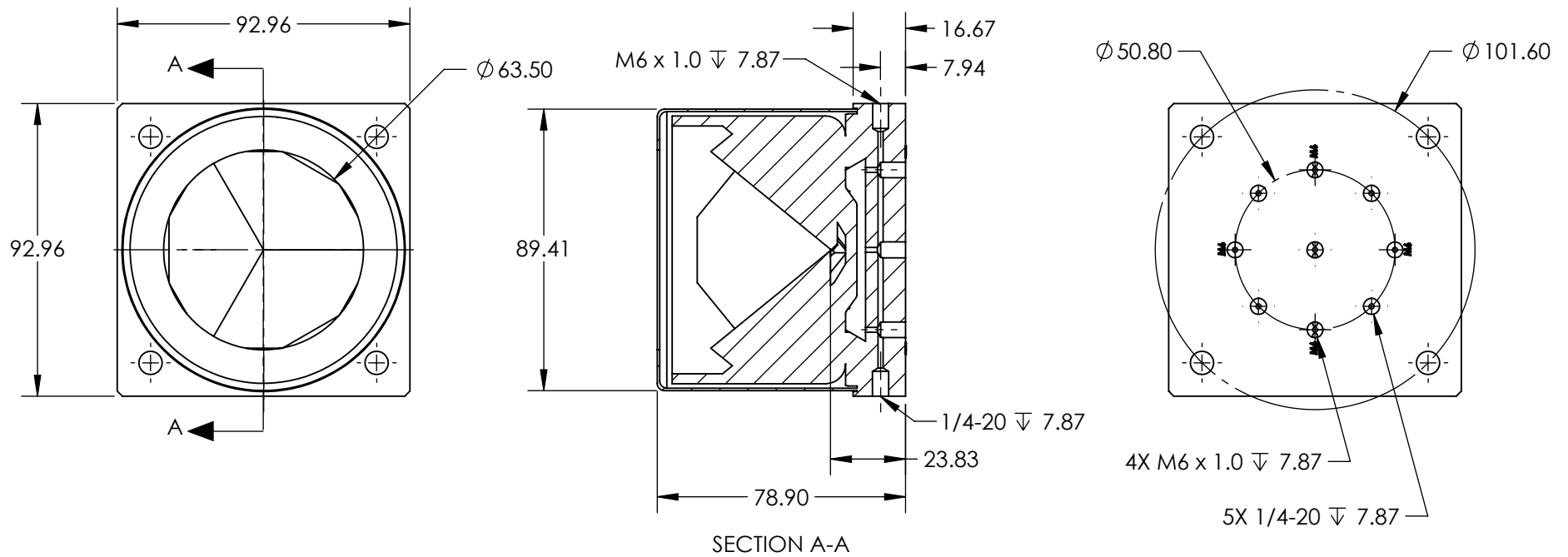


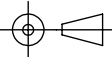
NOTES:
 1. RoHS: COMPLIANT



SPECIFICATIONS SUBJECT TO CHANGE WITHOUT NOTICE
 DIMENSIONS ARE FOR REFERENCE ONLY

**FOR INFORMATION ONLY:
 DO NOT MANUFACTURE
 PARTS TO THIS DRAWING**

EO[®] Edmund Optics[®]

| | | | | |
|--|----|--------|--|--------------|
| THIRD ANGLE PROJECTION  | | TITLE | 63.5mm Clear Aperture, 1 Arcsec, Gold Retroreflector | |
| ALL DIMS IN | mm | DWG NO | 46187 | SHEET 1 OF 1 |