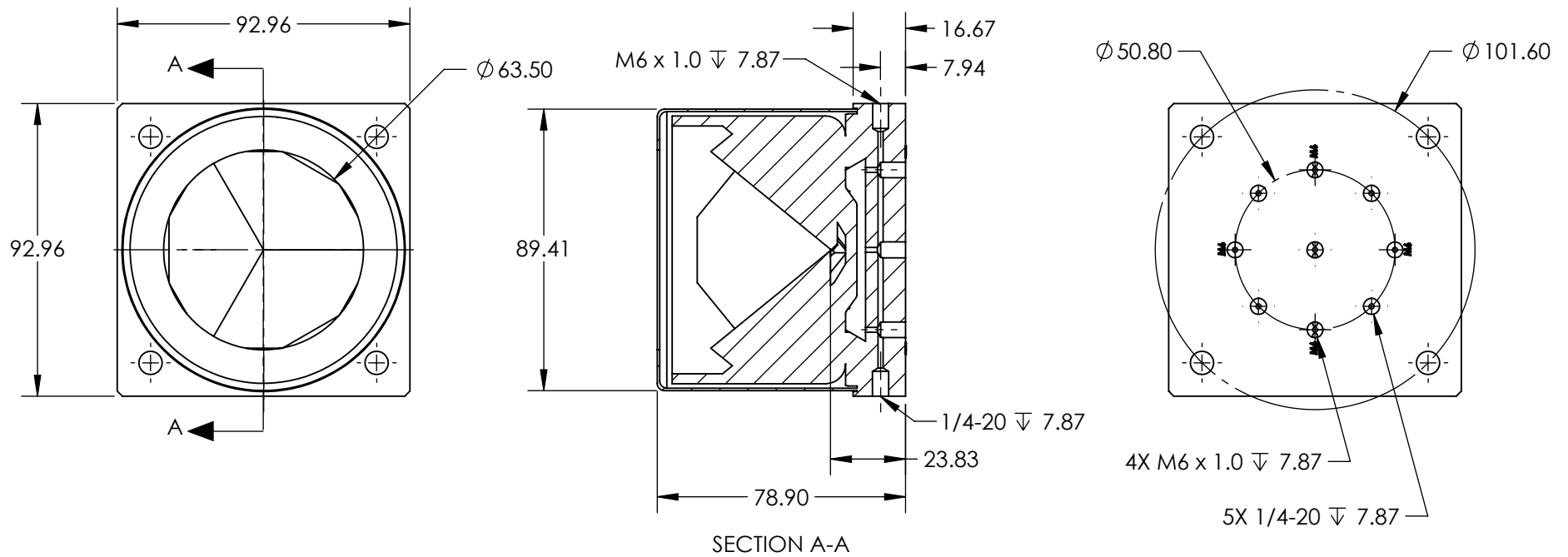


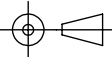
NOTES:  
 1. RoHS: COMPLIANT



SPECIFICATIONS SUBJECT TO CHANGE WITHOUT NOTICE  
 DIMENSIONS ARE FOR REFERENCE ONLY

**FOR INFORMATION ONLY:  
 DO NOT MANUFACTURE  
 PARTS TO THIS DRAWING**

**EO**® Edmund Optics®

THIRD ANGLE PROJECTION 		TITLE	63.5mm Clear Aperture, 2 Arcsec, Gold Retroreflector	
ALL DIMS IN	mm	DWG NO	46188	SHEET 1 OF 1