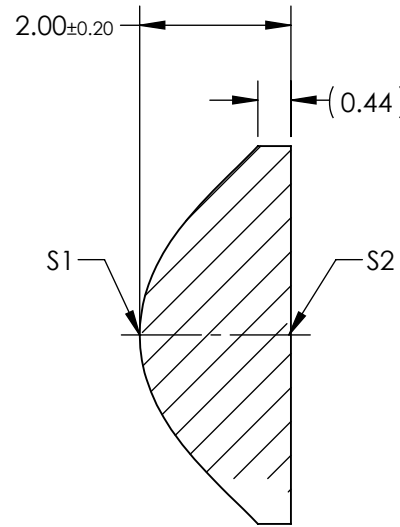
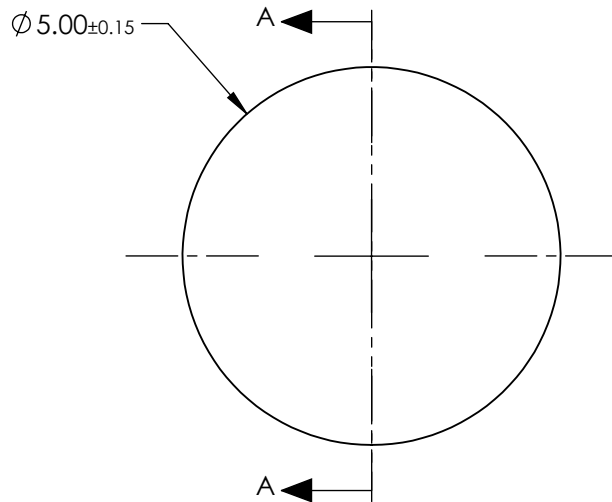


NOTES:

1. SUBSTRATE: N-F2
2. COATING:
S1 & S2: NONE
3. FOCAL LENGTH TOLERANCE: ±5 %
4. CENTERING: ≤25 ARCMIN
5. RoHS: COMPLIANT
6. ASPHERIC SURFACE DESCRIBED BY THE FOLLOWING EQUATION AND COEFFICIENTS SHOWN IN TABLE BELOW

$$Z_{ASPH}(Y) = \frac{(\frac{1}{RADIUS}) * Y^2}{1 + \sqrt{1 - (1+k) * (\frac{1}{RADIUS})^2 * Y^2}} + D * Y^2 + E * Y^4 + F * Y^6 + G * Y^8 + H * Y^{10} + J * Y^{12} + L * Y^{14}$$

**FOR INFORMATION ONLY:
DO NOT MANUFACTURE
PARTS TO THIS DRAWING**



SECTION A-A

COEFFICIENT TABLE	
COEFFICIENT	S1
SEMI-DIAMETER	2.500000E+00
(1/RADIUS)	5.197505E-01
k	-9.000000E-01
D	0.000000E+00
E	4.970000E-03
F	-1.360000E-03
G	0.000000E+00
H	0.000000E+00
J	0.000000E+00
L	0.000000E+00

SPECIFICATIONS SUBJECT TO CHANGE WITHOUT NOTICE
DIMENSIONS ARE FOR REFERENCE ONLY

	S1	S2
SHAPE	CONVEX	PLANO
SURFACE QUALITY	As Molded	As Molded
BEVEL	PROTECTIVE AS NEEDED	PROTECTIVE AS NEEDED

EFL: 3.10mm			
BFL: 1.90mm			
THIRD ANGLE PROJECTION		TITLE	5mm DIA. x 3.1mm FL, UNCOATED MOLDED ASPHERIC CONDENSER LENS
ALL DIMS IN	mm	DWG NO	15172
			SHEET 1 OF 1