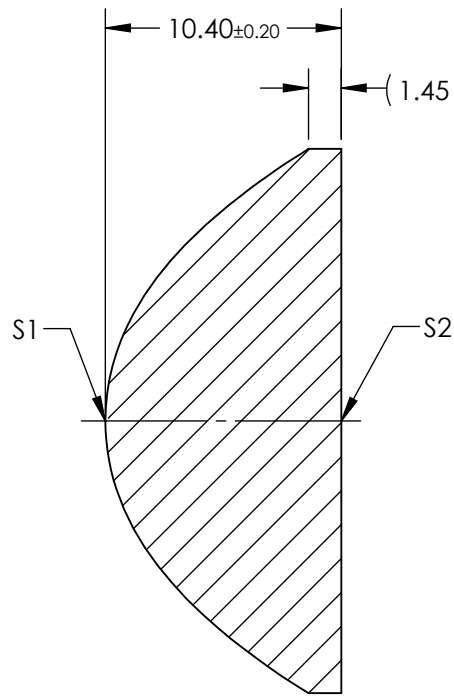
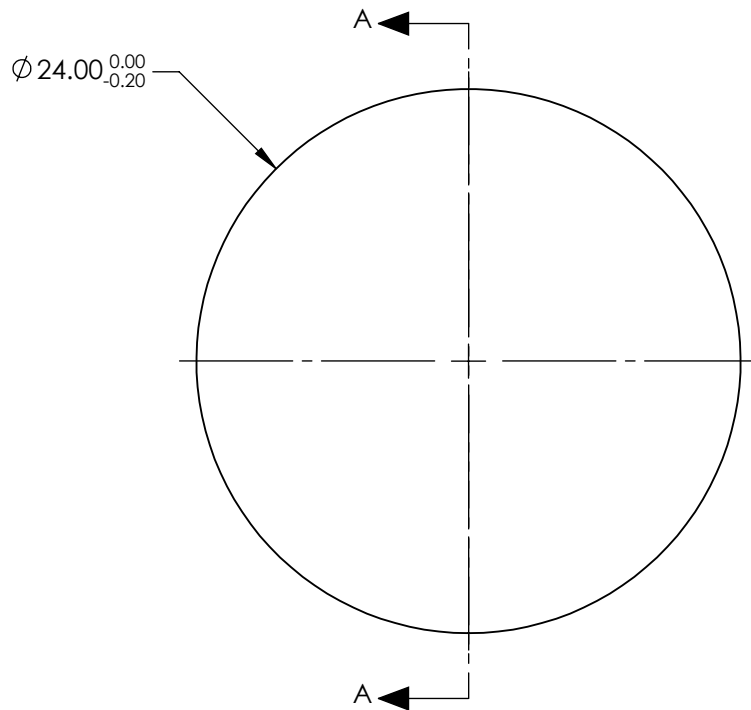


NOTES:

1. SUBSTRATE: Liba2000+
2. COATING:  
S1 & S2: NONE
3. FOCAL LENGTH TOLERANCE: ±5 %
4. CENTERING: ≤25 ARCMIN
5. RoHS: COMPLIANT
6. ASPHERIC SURFACE DESCRIBED BY THE FOLLOWING EQUATION AND COEFFICIENTS SHOWN IN TABLE BELOW

$$Z_{ASPH}(Y) = \frac{(\frac{1}{RADIUS}) * Y^2}{1 + \sqrt{1 - (1+k) * (\frac{1}{RADIUS})^2 * Y^2}} + D * Y^2 + E * Y^4 + F * Y^6 + G * Y^8 + H * Y^{10} + J * Y^{12} + L * Y^{14}$$


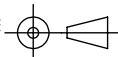
**FOR INFORMATION ONLY:  
DO NOT MANUFACTURE  
PARTS TO THIS DRAWING**



COEFFICIENT TABLE	
COEFFICIENT	S1
SEMI-DIAMETER	1.200000E+01
(1/RADIUS)	1.062247E-01
k	-6.620000E-01
D	0.000000E+00
E	5.388110E-05
F	-4.404890E-07
G	0.000000E+00
H	0.000000E+00
J	0.000000E+00
L	0.000000E+00

SPECIFICATIONS SUBJECT TO CHANGE WITHOUT NOTICE  
DIMENSIONS ARE FOR REFERENCE ONLY

	S1	S2
SHAPE	CONVEX	PLANO
SURFACE QUALITY	As Molded	As Molded
BEVEL	PROTECTIVE AS NEEDED	PROTECTIVE AS NEEDED

EFL: 18.00mm		 <b>Edmund Optics®</b>	
BFL: 11.20mm			
THIRD ANGLE PROJECTION		TITLE	24mm DIA. x 18mm FL, UNCOATED MOLDED ASPHERIC CONDENSER LENS
ALL DIMS IN	mm	DWG NO	15176
			SHEET 1 OF 1