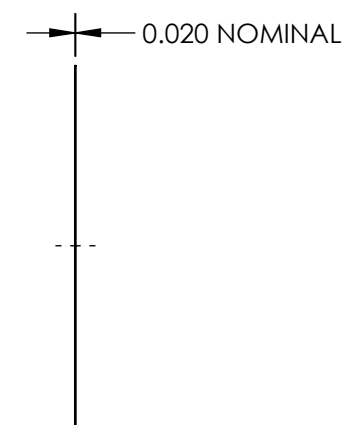
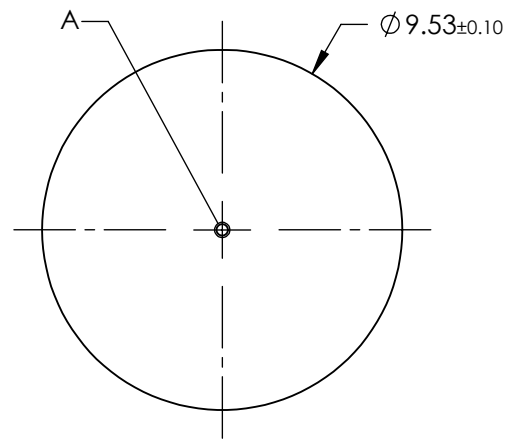
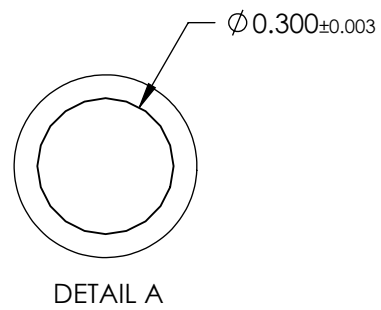
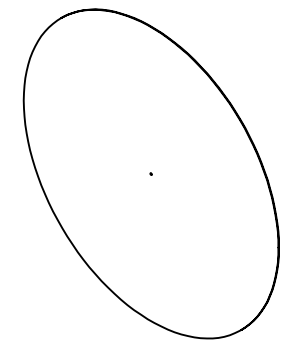


NOTES:

1. MATERIAL: STAINLESS STEEL
2. ABSORBANCE: 99%
3. WAVELENGTH RANGE: EUV - NIR
4. RoHS: COMPLIANT



SPECIFICATIONS SUBJECT TO CHANGE WITHOUT NOTICE
DIMENSIONS ARE FOR REFERENCE ONLY



**FOR INFORMATION ONLY:
DO NOT MANUFACTURE
PARTS TO THIS DRAWING**

THIRD ANGLE PROJECTION		TITLE	300µm APERTURE DIAMETER, UNMOUNTED, ACKTAR BLACKENED PINHOLE	
ALL DIMS IN	mm	DWG NO	15390	SHEET 1 OF 1