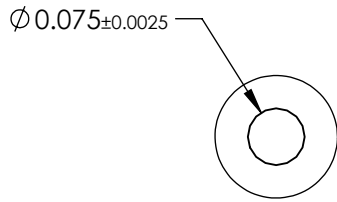
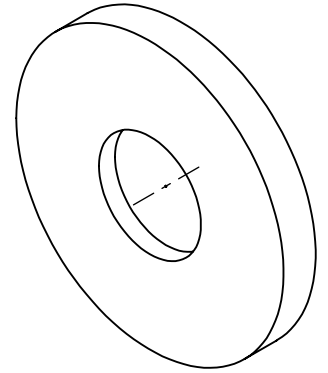
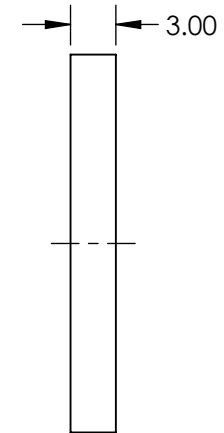
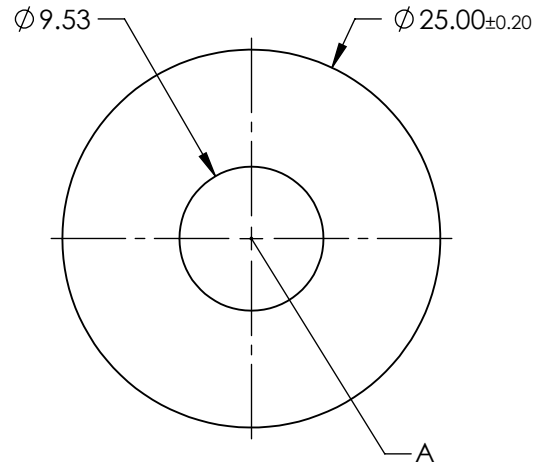


NOTES:

1. MATERIAL: STAINLESS STEEL
2. ABSORBANCE: 99%
3. WAVELENGTH RANGE: EUV - NIR
4. RoHS: COMPLIANT



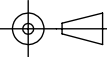
DETAIL A



SPECIFICATIONS SUBJECT TO CHANGE WITHOUT NOTICE  
DIMENSIONS ARE FOR REFERENCE ONLY

**FOR INFORMATION ONLY:  
DO NOT MANUFACTURE  
PARTS TO THIS DRAWING**

**EO**® Edmund Optics®

THIRD ANGLE PROJECTION 		TITLE	75μm APERTURE DIAMETER, MOUNTED, ACKTAR BLACKENED PINHOLE	
ALL DIMS IN	mm	DWG NO	15395	SHEET 1 OF 1