

NOTES:

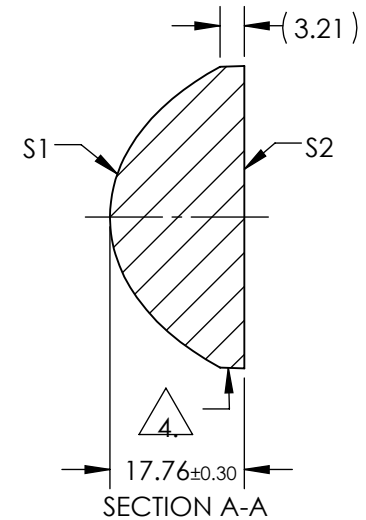
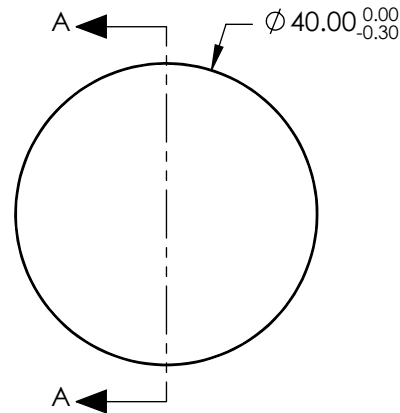
1. SUBSTRATE:
LIBA 2000
2. CENTERING TOLERANCE (AT 587.6nm): BEAM DEVIATION (HALF ANGLE): <25 ARCMIN
3. COATING (APPLY ACROSS COATING APERTURE)
S1 & S2: 1/4 WAVE MgF2 @ 550nm
R(AVG) < 1.75% FROM 400-700nm (N-BK7)
4. EDGE: AS MOLDED
5. ASPHERIC SURFACE DESCRIBED BY THE FOLLOWING EQUATION AND COEFFICIENTS SHOWN IN TABLE BELOW

**FOR INFORMATION ONLY:
DO NOT MANUFACTURE
PARTS TO THIS DRAWING**

$$Z(Y) = \frac{\left(\frac{1}{\text{RADIUS}}\right) * Y^2}{1 + \sqrt{1 - (1+k) * \left(\frac{1}{\text{RADIUS}}\right)^2 * Y^2}} + D * Y^2 + E * Y^4 + F * Y^6 + G * Y^8 + H * Y^{10} + J * Y^{12} + L * Y^{14} + M * Y^{16}$$

6. RoHS: COMPLIANT

COEFFICIENT TABLE 5.	
	S1
Semi-diameter	20.0
Coefficient (1/RADIUS)	5.993016E-02
k	-1.076881E+00
D	0.000000E+00
E	1.471189E-05
F	8.211896E-09
G	8.158565E-12
H	0.000000E+00
J	0.000000E+00
L	0.000000E+00
M	0.000000E+00



SPECIFICATIONS SUBJECT TO CHANGE WITHOUT NOTICE
DIMENSIONS ARE FOR REFERENCE ONLY

REV. A	S1	S2	EFL: 32.00	Edmund Optics®	
SHAPE	CONVEX	PLANO	BFL: 20.33		
RADIUS	16.686	∞	THIRD ANGLE PROJECTION	TITLE	LENS CONDENSER 40mm X 32mm MgF2 TS
SURFACE QUALITY	80-50	80-50	ALL DIMS IN	DWG NO	15196
CLEAR APERTURE	Ø35.78	Ø35.78	mm	SHEET 1 OF 1	
BEVEL	PROTECTIVE AS NEEDED	PROTECTIVE AS NEEDED			