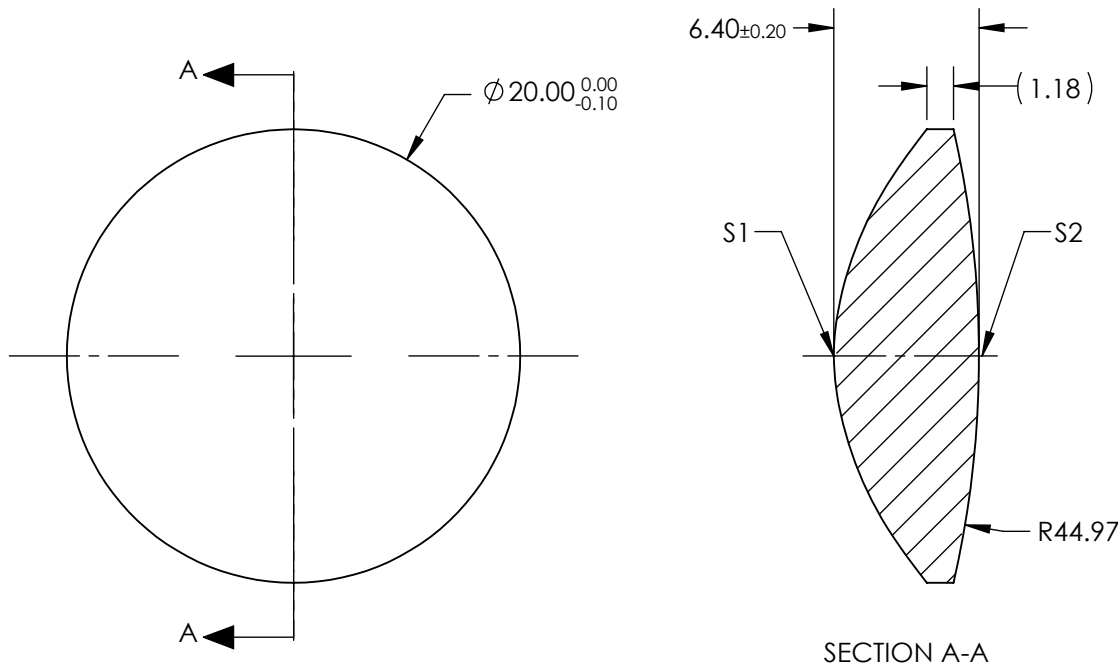


NOTES:

1. SUBSTRATE: Liba2000+
2. COATING:
S1 & S2: R(AVG) ≤ 1.75% @ 400 - 700nm
3. FOCAL LENGTH TOLERANCE: ±5 %
4. CENTERING: ≤25 ARCMIN
5. RoHS: COMPLIANT
6. ASPHERIC SURFACE DESCRIBED BY THE FOLLOWING EQUATION AND COEFFICIENTS SHOWN IN TABLE BELOW

$$Z_{ASPH}(Y) = \frac{(\frac{1}{RADIUS}) * Y^2}{1 + \sqrt{1 - (1+k) * (\frac{1}{RADIUS})^2 * Y^2}} + D * Y^2 + E * Y^4 + F * Y^6 + G * Y^8 + H * Y^{10} + J * Y^{12} + L * Y^{14}$$

**FOR INFORMATION ONLY:
DO NOT MANUFACTURE
PARTS TO THIS DRAWING**



COEFFICIENT TABLE	
COEFFICIENT	S1
SEMI-DIAMETER	1.000000E+01
(1/RADIUS)	9.931473E-02
k	-9.565000E+00
D	0.000000E+00
E	2.698440E-04
F	-1.042250E-06
G	0.000000E+00
H	0.000000E+00
J	0.000000E+00
L	0.000000E+00

SPECIFICATIONS SUBJECT TO CHANGE WITHOUT NOTICE
DIMENSIONS ARE FOR REFERENCE ONLY

	S1	S2
SHAPE	CONVEX	CONVEX
SURFACE QUALITY	80-50 (TYPICAL)	80-50 (TYPICAL)
BEVEL	PROTECTIVE AS NEEDED	PROTECTIVE AS NEEDED

EFL: 19.4mm			
BFL: 12.85mm			
THIRD ANGLE PROJECTION		TITLE	20mm DIA. x 16.4mm FL, MgF2 COATED MOLDED ASPHERIC CONDENSER LENS
ALL DIMS IN	mm	DWG NO	15679
			SHEET 1 OF 1