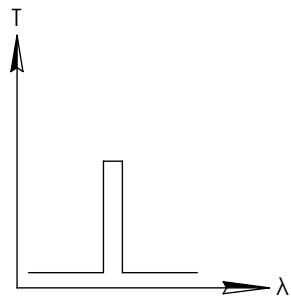
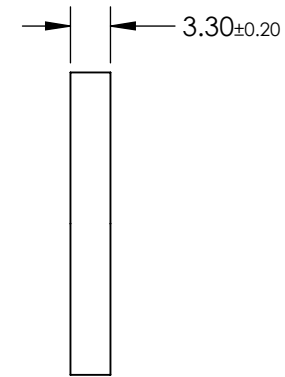
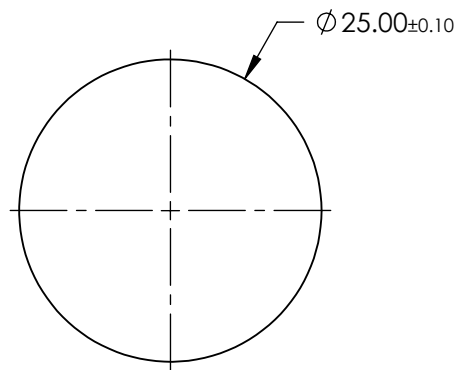
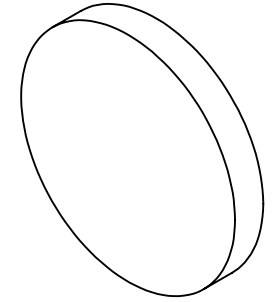


**FOR INFORMATION ONLY:
DO NOT MANUFACTURE
PARTS TO THIS DRAWING**



BANDPASS FILTER

	VALUE
CENTER WAVELENGTH (CWL)	$365 \pm 2\text{nm}$
FULL WIDTH HALF MAX (FWHM)	$10 \pm 2\text{nm}$
MINIMUM TRANSMISSION	$\geq 85\%$
BLOCKING	200 - 1200nm
CLEAR APERTURE (mm)	$\phi 22.50$
SURFACE QUALITY	80-50
COATING TYPE	HARD COATED
DURABILITY	MIL-C-48497A, SECTION 3.4.1
ENVIRONMENTAL	MIL-STD-810F, SECTION 507.4

SPECIFICATIONS SUBJECT TO CHANGE WITHOUT NOTICE
DIMENSIONS ARE FOR REFERENCE ONLY



THIRD ANGLE PROJECTION	TITLE	365nm CWL, 25mm DIA., HARD COATED OD 4.0 10nm UNMOUNTED BANDPASS FILTER	
ALL DIMS IN	mm	DWG NO	15131
			SHEET 1 OF 1