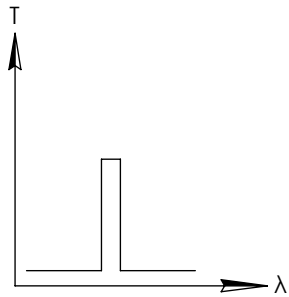
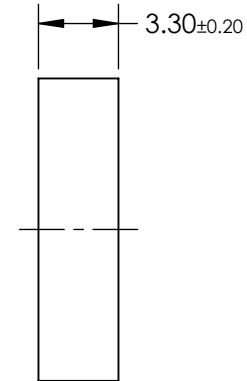
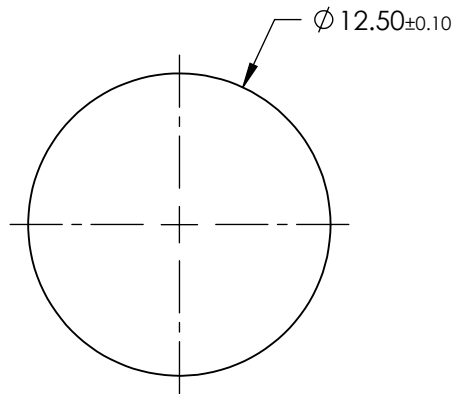
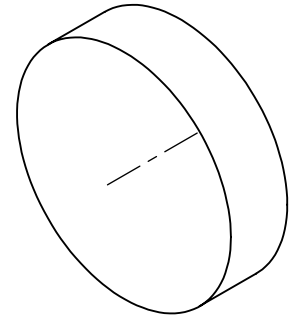


**FOR INFORMATION ONLY:  
DO NOT MANUFACTURE  
PARTS TO THIS DRAWING**



BANDPASS FILTER

	VALUE
CENTER WAVELENGTH (CWL)	450 ± 5nm
FULL WIDTH HALF MAX (FWHM)	50.0 ± 5nm
MINIMUM TRANSMISSION	≥90%
BLOCKING	200 - 1200nm
CLEAR APERTURE (mm)	∅11.25
SURFACE QUALITY	80-50
COATING TYPE	HARD COATED
DURABILITY	MIL-C-48497A, SECTION 3.4.1
ENVIRONMENTAL	MIL-STD-810F, SECTION 507.4

SPECIFICATIONS SUBJECT TO CHANGE WITHOUT NOTICE  
DIMENSIONS ARE FOR REFERENCE ONLY

**EO**® **Edmund Optics**®



THIRD ANGLE  
PROJECTION

TITLE	450nm CWL, 12.5mm DIA., HARD COATED OD 4.0 50nm UNMOUNTED BANDPASS FILTER		
DWG NO	15156	SHEET	1 OF 1

ALL DIMS IN

mm