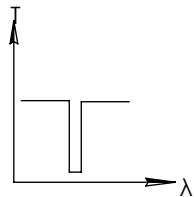
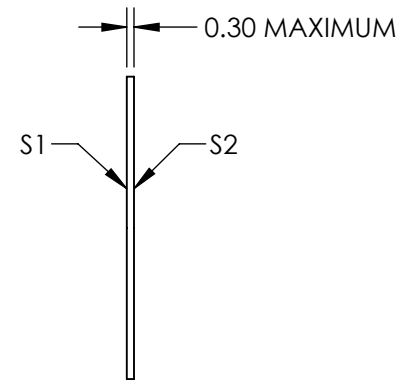
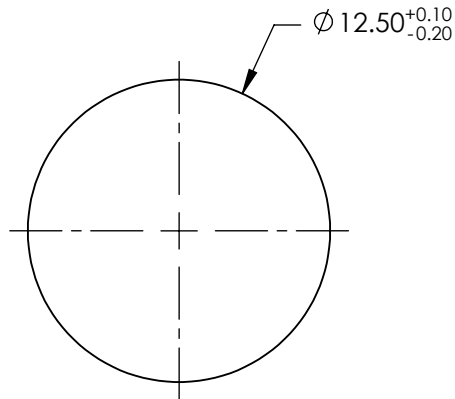
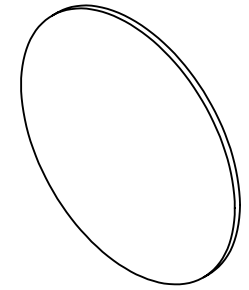


**FOR INFORMATION ONLY:  
DO NOT MANUFACTURE  
PARTS TO THIS DRAWING**



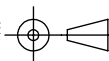
NOTCH FILTER

SPECIFICATIONS SUBJECT TO CHANGE WITHOUT NOTICE  
DIMENSIONS ARE FOR REFERENCE ONLY

	VALUE
CLEAR APERTURE	$\varnothing 11.50$
CENTER WAVELENGTH	$532 \pm 10.64 \text{nm}$
FULL WIDTH HALF MAX (FWHM)	$\leq 42.56 \text{nm}$
OPTICAL DENSITY	$\geq 6.0$
TRANSMISSION	$\geq 85\%$

**EO**<sup>®</sup> **Edmund Optics**<sup>®</sup>

THIRD ANGLE  
PROJECTION



TITLE

532nm, 12.5 mm Dia., OD 6.0 Ultra-Thin Notch  
Filter

ALL DIMS IN

mm

DWG NO

14755

SHEET  
1 OF 1