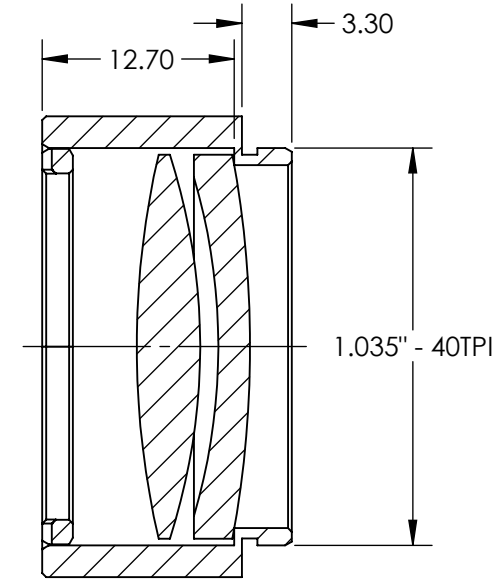
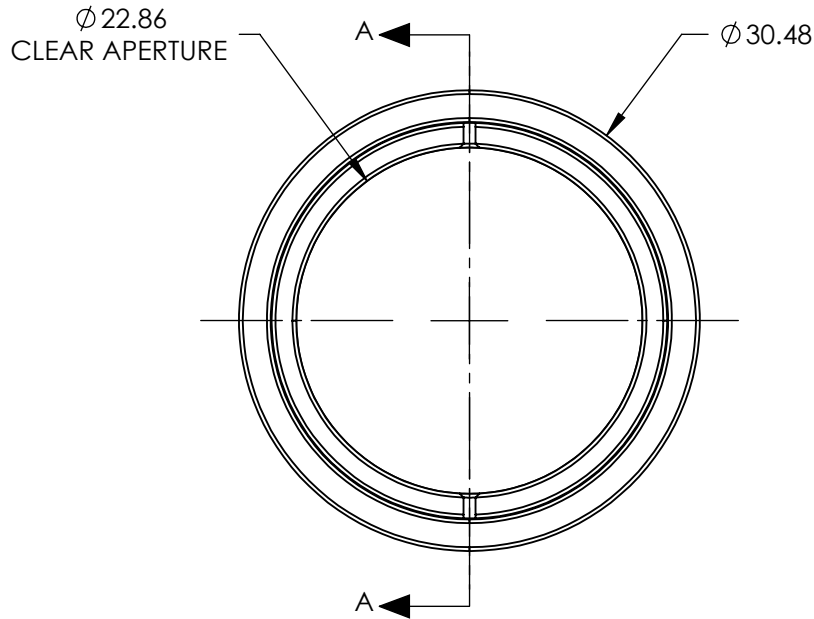


NOTES:


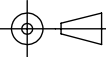
1. SUBSTRATE: SAPPHIRE AND CaF2
2. COATING (APPLY ACROSS CLEAR APERTURE):
S1 & S2: BBAR (800 - 4000nm)
3. FOCAL LENGTH TOLERANCE: $\pm 2\%$
4. ROHS: COMPLIANT

**FOR INFORMATION ONLY:
DO NOT MANUFACTURE
PARTS TO THIS DRAWING**



SECTION A-A

SPECIFICATIONS SUBJECT TO CHANGE WITHOUT NOTICE
DIMENSIONS ARE FOR REFERENCE ONLY

		EFL @ 1030nm: 100mm		 Edmund Optics®	
		BFL: N/A			
VALUE		THIRD ANGLE PROJECTION 		TITLE	30.5mm DIA. x 100 EFL, NIR - MWIR COATED, ACHROMATIC LENS
TRANSMITTED WAVEFRONT ERROR, RMS@ 632.8nm	< $\lambda/2$	ALL DIMS IN	mm	DWG NO	16046
SURFACE QUALITY	60-40				SHEET
BEVEL MAX FACE	0.2mm x 45°				1 OF 1