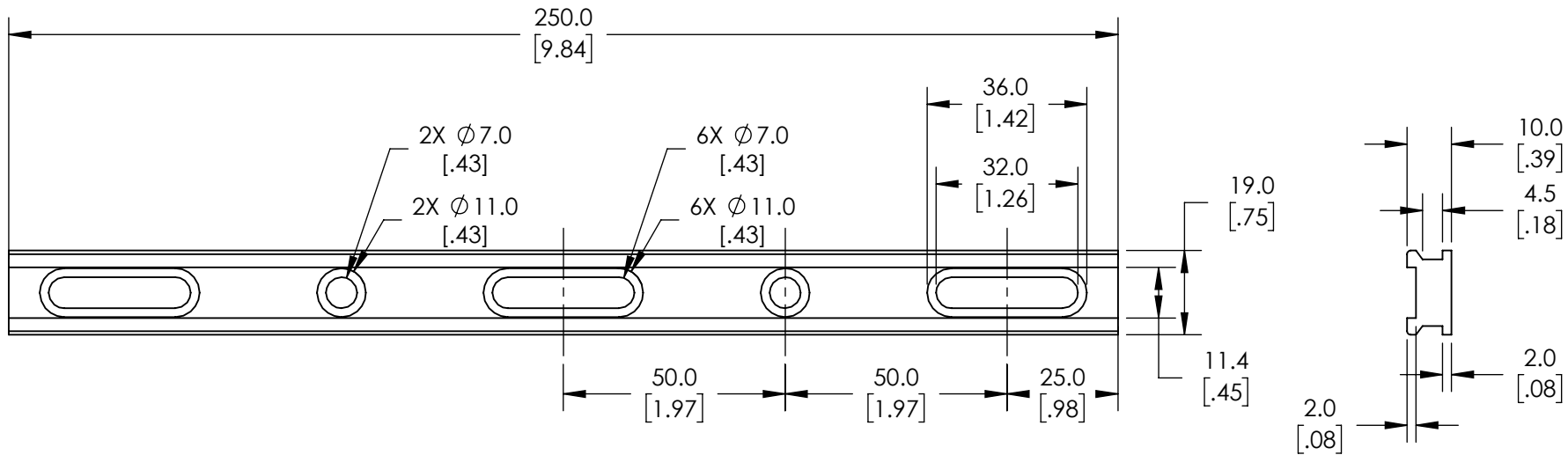
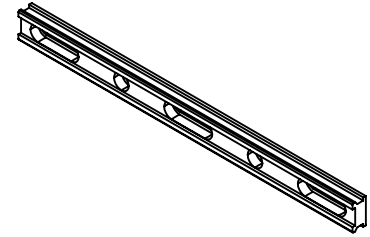


NOTES:

- 1. MATERIAL: BLACK ANODIZED ALUMINUM
- 2. ROHS COMPLIANT



**FOR INFORMATION ONLY:
DO NOT MANUFACTURE
PARTS TO THIS DRAWING**

SPECIFICATIONS SUBJECT TO CHANGE WITHOUT NOTICE
DIMENSIONS ARE FOR REFERENCE ONLY

EO[®] Edmund Optics[®]

THIRD ANGLE PROJECTION		TITLE	250mm Length, Compact Optical Rail	
ALL DIMS IN	mm	DWG NO	54928	SHEET 1 OF 1