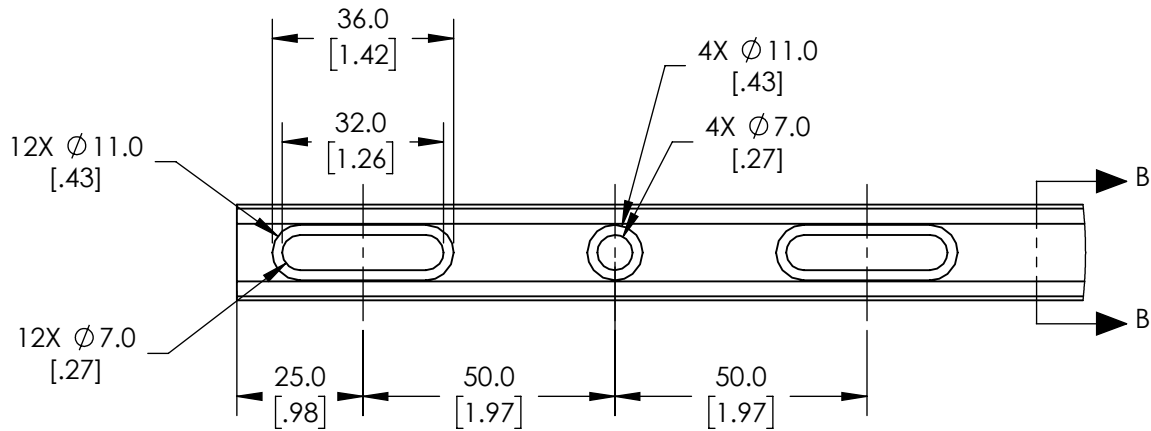
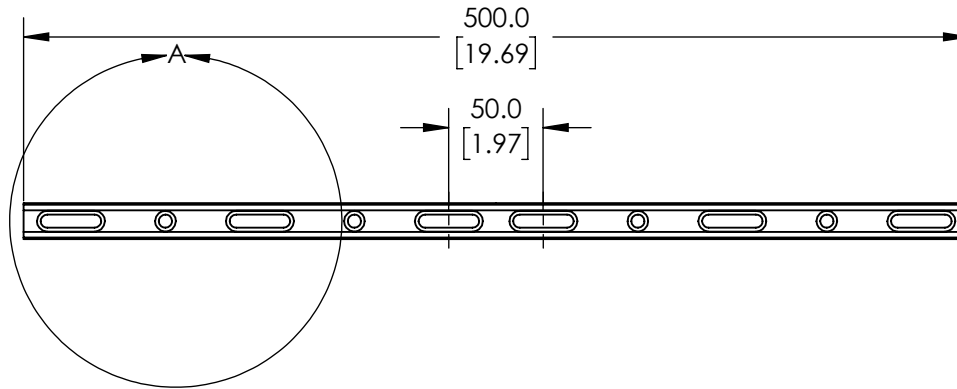
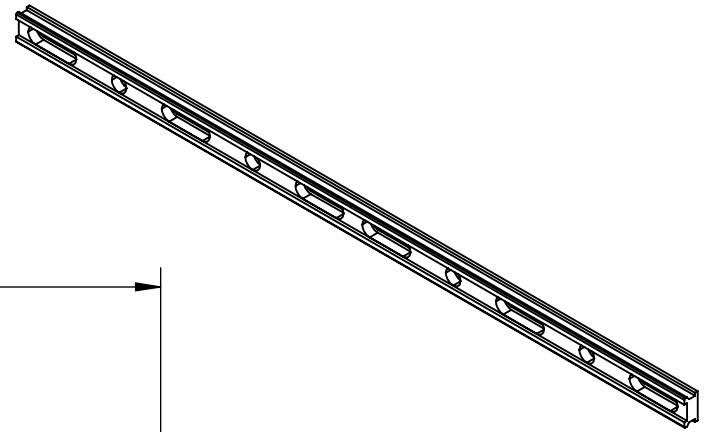
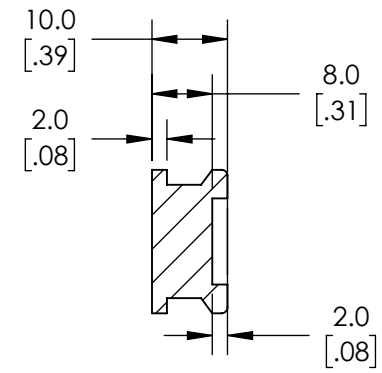


NOTES:

1. MATERIAL: BLACK ANODIZED ALUMINUM
2. ROHS COMPLIANT



DETAIL A



SECTION B-B

**FOR INFORMATION ONLY:
DO NOT MANUFACTURE
PARTS TO THIS DRAWING**

SPECIFICATIONS SUBJECT TO CHANGE WITHOUT NOTICE
DIMENSIONS ARE FOR REFERENCE ONLY

EO® Edmund Optics®

THIRD ANGLE PROJECTION		TITLE	500mm Length, Compact Optical Rail	
ALL DIMS IN	mm	DWG NO	54929	SHEET 1 OF 1