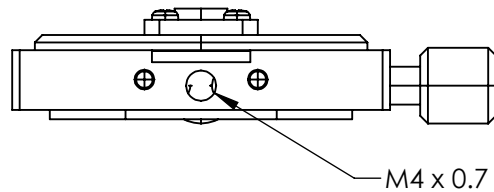
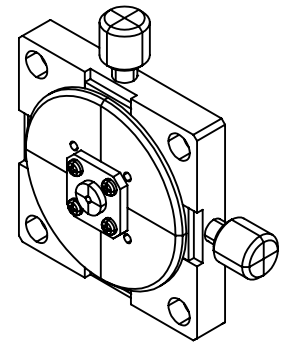
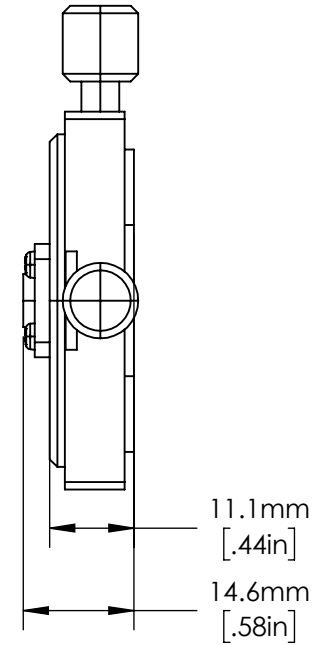
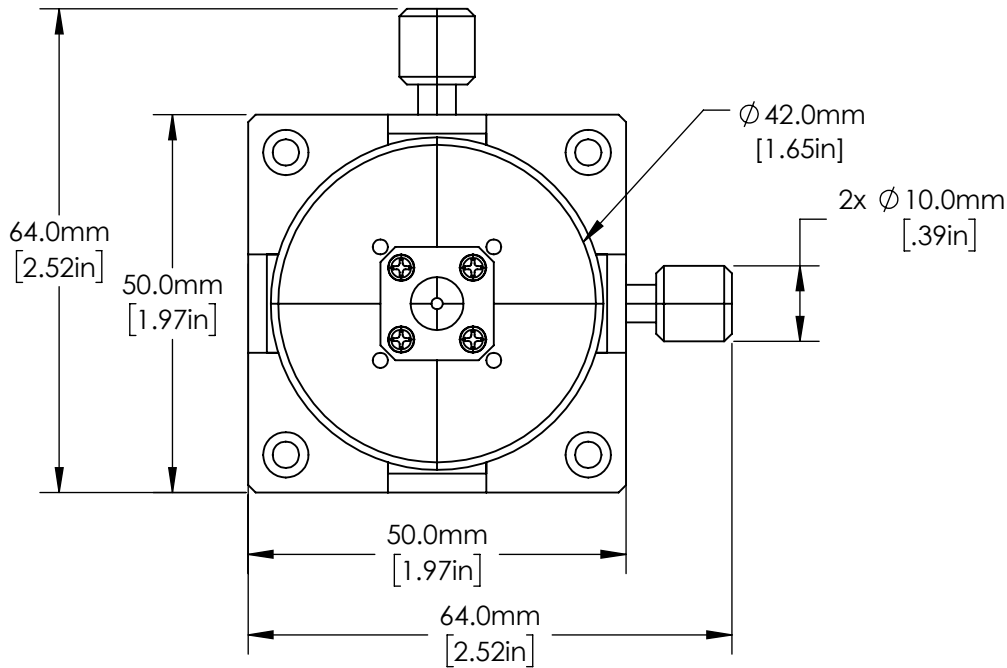


NOTES:

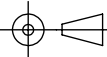
- 1. MATERIAL: BLACK ANODIZED ALUMINUM
- 2. ROHS COMPLIANT



**FOR INFORMATION ONLY:
DO NOT MANUFACTURE
PARTS TO THIS DRAWING**

SPECIFICATIONS SUBJECT TO CHANGE WITHOUT NOTICE
DIMENSIONS ARE FOR REFERENCE ONLY

EO® Edmund Optics®

THIRD ANGLE PROJECTION 		TITLE	Screw Drive Fiber Alignment Mount	
ALL DIMS IN	mm	DWG NO	55476	SHEET 1 OF 1