
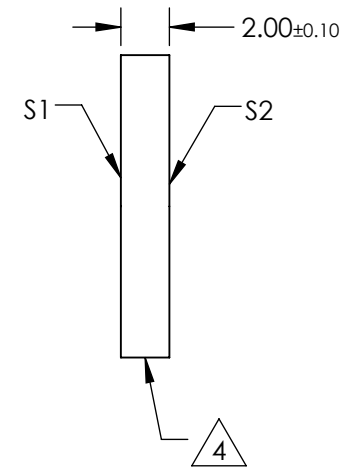
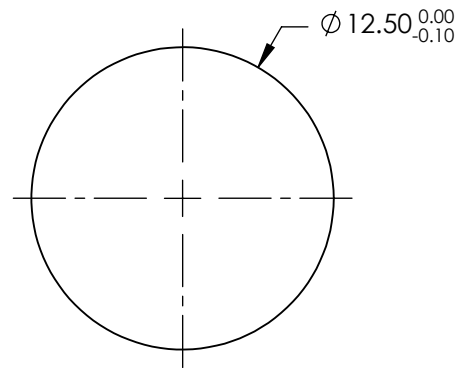
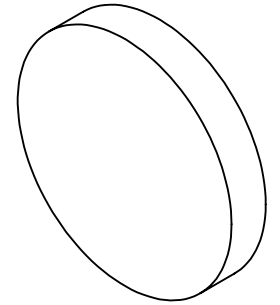


NOTES:

1. SUBSTRATE:
FUSED SILICA (CORNING 7980)
2. S2 TO BE PARALLEL WITH S1 TO WITHIN <1' ARC/MIN
3. COATING (APPLY ACROSS CLEAR APERTURE)
S1 & S2: R(AVG) ≤0.5% @ 600 - 1050nm
4.  FINE GRIND SURFACE
5. ROHS COMPLIANT



**FOR INFORMATION ONLY:
DO NOT MANUFACTURE
PARTS TO THIS DRAWING**

SPECIFICATIONS SUBJECT TO CHANGE WITHOUT NOTICE
DIMENSIONS ARE FOR REFERENCE ONLY

	S1	S2
SHAPE	PLANO	PLANO
SURFACE QUALITY	40-20	40-20
CLEAR APERTURE (mm)	Ø11.25	Ø11.25
BEVEL	PROTECTIVE AS NEEDED	PROTECTIVE AS NEEDED

THIRD ANGLE PROJECTION 

ALL DIMS IN mm

 **Edmund Optics®**

TITLE

12.5mm Dia., 2mm Thick, NIR I Coated, λ/4
Fused Silica Window

DWG NO

18336

SHEET
1 OF 1