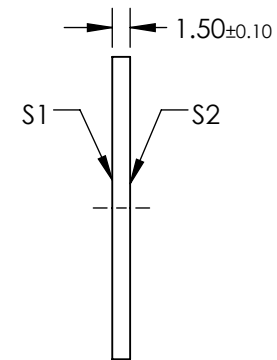
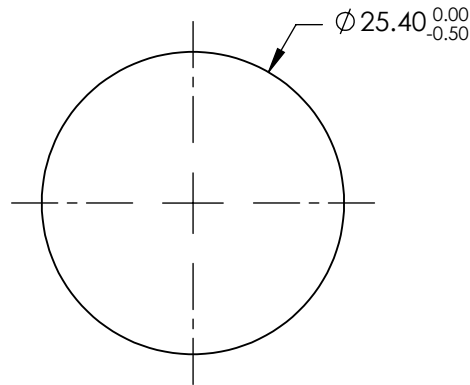
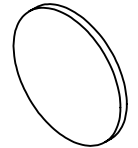


NOTES:

1. SUBSTRATE MATERIAL:  
Fused Silica
2. SURFACE S1 TO BE PARALLEL TO SURFACE S2 TO WITHIN <3 ARCMIN
3. COATING (APPLY ACROSS COATING APERTURE)  
  
S1: Square Aluminum (AlMgF2) Apertures  
R: 20±5% @ 250 - 2000 nm @ 45° AOI  
T: 80±5% @ 250 - 2000 nm @ 45° AOI  
  
S2: NONE
4. POLKA DOT CENTER TO CENTER SPACING : 0.15 mm  
POLKA DOT MINIMUM APERTURE: 2mm
5. ROHS : COMPLIANT

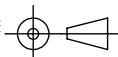


**FOR INFORMATION ONLY:  
DO NOT MANUFACTURE  
PARTS TO THIS DRAWING**

SPECIFICATIONS SUBJECT TO CHANGE WITHOUT NOTICE  
DIMENSIONS ARE FOR REFERENCE ONLY

**EO**® Edmund Optics®

	S1	S2
SHAPE	PLANO	PLANO
SURFACE QUALITY	80-50	80-50
CLEAR APERTURE	Ø 22.86	Ø 22.86
BEVEL	PROTECTIVE AS NEEDED	PROTECTIVE AS NEEDED

THIRD ANGLE PROJECTION 

ALL DIMS IN mm

TITLE	25.4mm Dia 20R/80T, UV-NIR Polka-Dot Beamsplitter		
DWG NO	18710	SHEET	1 OF 1