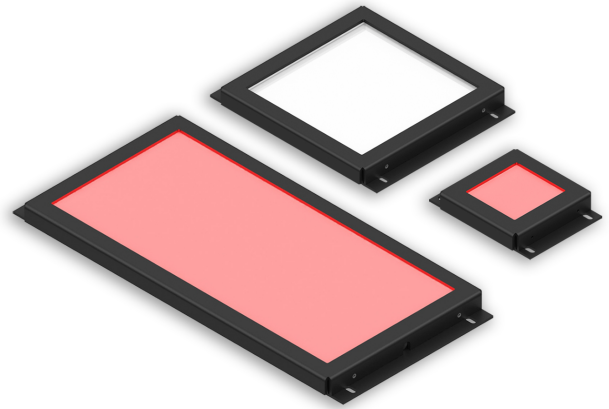


Product Highlights

- Our MicroBrite™ Edge-lit backlights provides the highest flux density of any backlight in our portfolio.



General Specifications

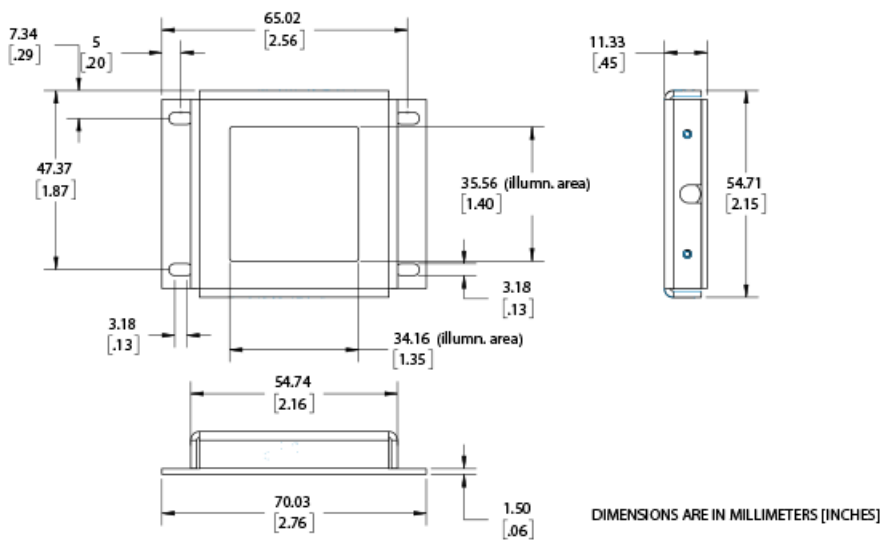
	Part Number	Color	All Controls
Electrical Specifications	BT050050	625	0.13A Max
	BT050050	455, 530, WHI	0.18A Max
	BT050050	850	0.075A Max
	BT100100	625	0.32A Max
	BT100100	455, 530, WHI	0.44A Max
	BT100100	850	0.45A Max
	BT200100	625	0.67A Max
	BT200100	455, 530, WHI	0.92A Max
	BT200100	850	0.45A Max
Normal Operating Temperature	0 - 60°		
Weight	BT050050 - 54.43g (1.92oz)		
	BT100100 - 195.04g (6.88oz)		
	BT200100 - 313.00g (11.04oz)		
Standard Cable Information	2 m long -0/+150 mm (80" -0/+6") - 105°C rated PVC jacket, foil shield with drain.		

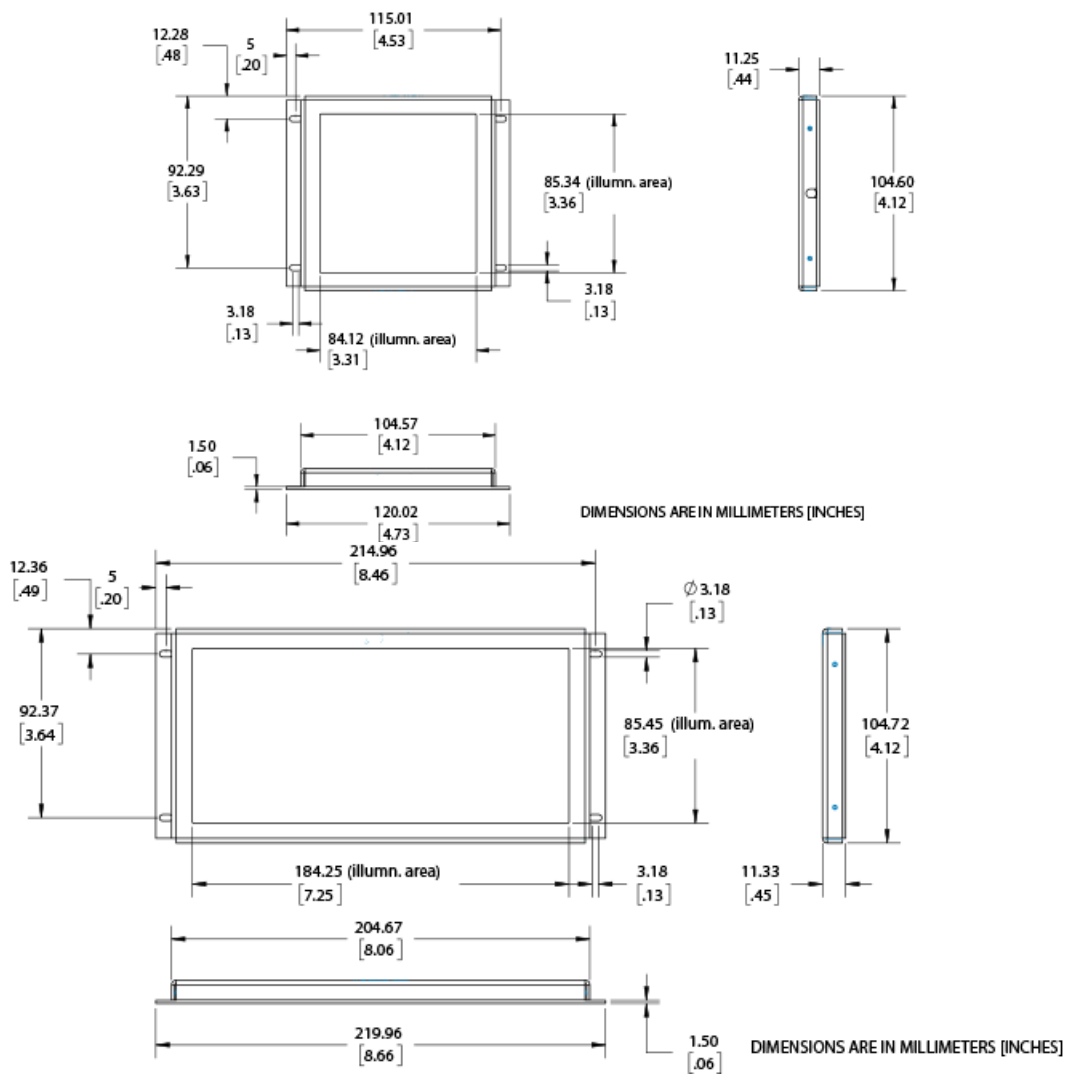
Photobiological Risk Factor	Exempt Applicable Wavelengths: 850 Group 1 (Low-Risk) Applicable Wavelengths: 455, 530, 625
Compliance	CE, RoHS, IEC 62471
IP Rating	IP50
Lumen Maintenance	L70 = 50,000 Hours

Part Number Key

Model	Model Extension	—	Spectral Wavelength	Connector/Control	Optional Light Conditioning	—	Alternative Connector
BT	XXXXXX	—	XXX	XX	X	—	XXX
BT	050050		455 (blue)	C1	C		M12 ¹
	100100		530 (green)	C5	(Collimation)		
	200100		625 (red)	IC	P		
			850 (IR)	I3	(Polarizer)		
			WHI (white)	I3S			
Ex: BT050050-WHIC1 BT200100-625IC					¹ Available with IC, I3, and I3S		

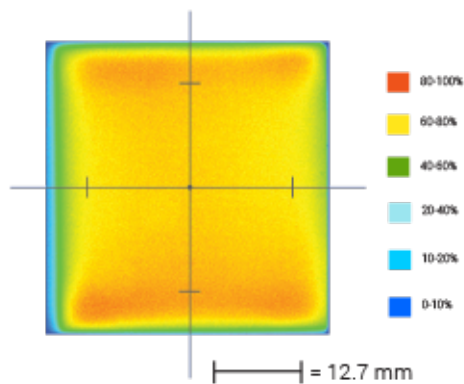
Mechanical Specs





Optical Specs

Intensity Distribution



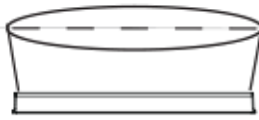
Optical measurement taken using BT050050-WHII3

Area of Illuminance & Intensity

Working Area (FWHM)
@ Working Distance

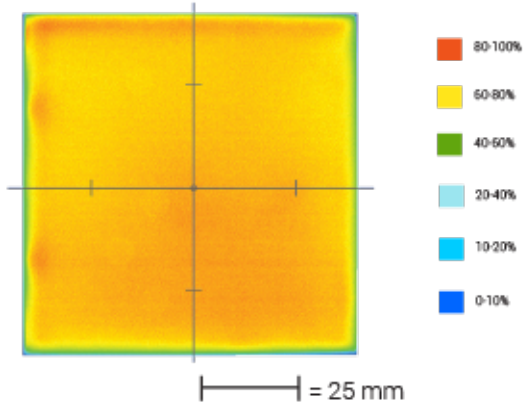
Light Output

28 x 28 (mm)
@surface



Irradiance (W/M²): Min 116.5; Typ 137.0
Illuminance (kLux): Min 45.1; Typ 53

Intensity Distribution



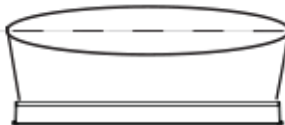
Optical measurement taken using BT100100-WHII3

Area of Illuminance & Intensity

Working Area (FWHM)
@ Working Distance

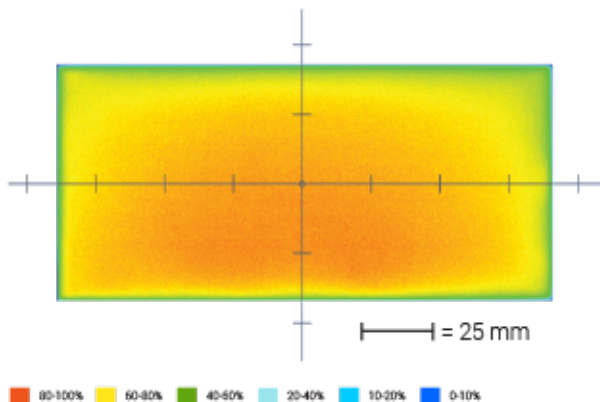
Light Output

76 X 76 (mm)
@surface



Irradiance (W/M²): Min 128.3; Typ 151.0
Illuminance (kLux): Min 51.0; Typ 60.0

Intensity Distribution



Optical measurement taken using BT200100-WHIIIC

Area of Illuminance & Intensity



Electrical Specs

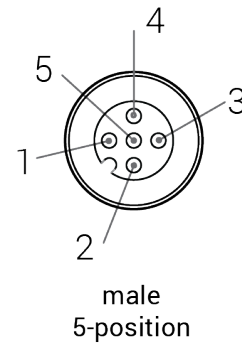
ICS 2 (IC)

Pin (M12)	Function	Wire Color
1	+24 VDC	Brown
2	0-10 VDC Analog Control	White
3	GND	Blue
4	GLO	Black
5	N/A	Gray

ICS 3 (I3 and I3S)

Pin (M12)	Function	Wire Color
1	+24 VDC	Brown
2	GND	White
3	GND	Blue
4	PNP/Active High Trigger	Black
5	0-10 VDC Analog Control	Gray

Optional M12 Pinout



Control Specs

C1 Connector	C5 Connector	IC	I3	I3S
For use with: DCS Series Controllers	For use with: Pulsar 320 Strobe Controller.	Continous in-line controller Powered with: 24V power supply	Combination strobe/continous in-line controller Powered with: 24V power supply	Default-OFF strobe/continous in-line controller Powered with: 24V power supply

Warranty Information

Every Advanced illumination, Inc. (Ai) product is thoroughly inspected and tested before leaving the factory. Products are warranted to be free of defects in workmanship and materials for a period of FIVE YEARS from the original date of purchase. Should a defect develop during this period, customers may return the complete product, freight prepaid, to one of Ai's distributors or to the Ai factory. All product warranty returns require a Return Merchandise Authorization (RMA) number which is obtained from Customer Service. The RMA number must be clearly marked on the outside of the package. Ai will inspect the unit, and if a defect is found will, at our option, repair or replace the product without charge. Ai disclaims liability for any implied warranties, including implied warranties of "merchantability" and "fitness for a specific purpose." For products under warranty that have since been discontinued, Ai will make an effort to replace with equivalent parts; for circumstances that do not allow for equivalent replacement, Ai reserves the right to repair or replace these products with an updated version. Ai cannot be held responsible for the unauthorized or inappropriate use of its products. Any unauthorized repair or modifications will result in a voided warranty.

No Liability for Consequential Damages: In no event shall Ai be liable for any consequential, special, incidental, or indirect damages of any kind arising from the sale or use of the products.

Electromagnetic Compatibility

This product was tested and complies with the regulatory requirements and limits for electromagnetic compatibility (EMC) as stated in the product specifications. These requirements and limits are designed to provide reasonable protection against harmful interference only when the product is operated in its intended industrial electromagnetic environment. To minimize the potential for electromagnetic interference or unacceptable performance degradation, install and use this product in strict accordance with the instructions in the product documentation.

Customer Service

For information on existing orders, or to make an order adjustment, contact us Monday through Friday 8:00 am to 5:00 pm ET or send an email to orders@advancedillumination.com.

Company Information

Advanced Illumination

440 State Garage Road, Rochester, VT 05767

Phone: 802.767.3830

Fax: 802.767.2636

Email: info@advancedillumination.com

Web: advancedillumination.com

© 2021 Advanced illumination Inc. All rights reserved