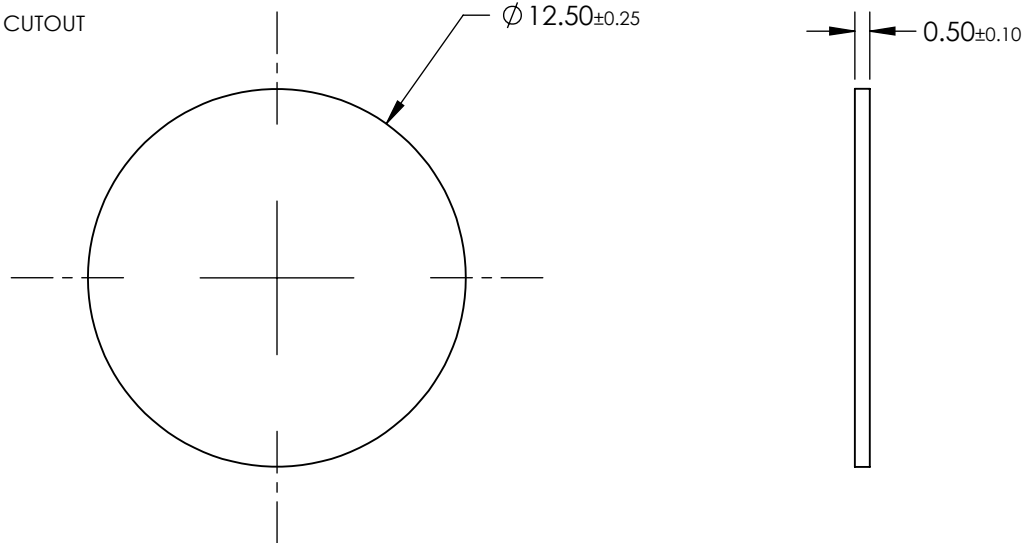
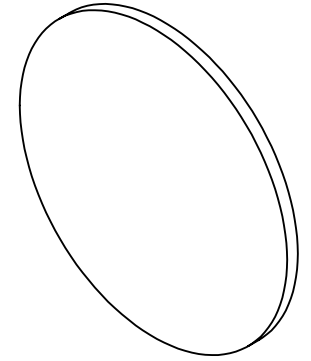


NOTES:

1. SUBSTRATE:
Polymer Film on TAC
2. COATING
UNCOATED, PROTECTIVE FILM ON BOTH SIDES
3. POLARIZATION (%):
99.83 @ 400 - 760nm
99.63 @ 761 - 2200nm
4. TRANSMISSION (%):
SINGLE:
29 @ 400 - 760nm
39 @ 761 - 2200nm

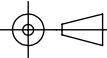
CROSSED:
0.02 @ 400 - 760nm
0.11 @ 761 - 2200nm
5. EXTINCTION RATIO: 400:1 (Average @ 800 - 2200nm)
6. WAVELENGTH RANGE: 400 - 2200 nm
7. POLARIZATION AXIS IS MARKED BY 0.5mm RADIUS CUTOUT
8. ROHS COMPLIANT



**FOR INFORMATION ONLY:
DO NOT MANUFACTURE
PARTS TO THIS DRAWING**

SPECIFICATIONS SUBJECT TO
CHANGE WITHOUT NOTICE
DIMENSIONS ARE FOR
REFERENCE ONLY

EO® Edmund Optics®

THIRD ANGLE PROJECTION 		TITLE	12.5mm DIA. NIR LINEAR POLARIZING FILM	
ALL DIMS IN	mm	DWG NO	18937	SHEET 1 OF 1