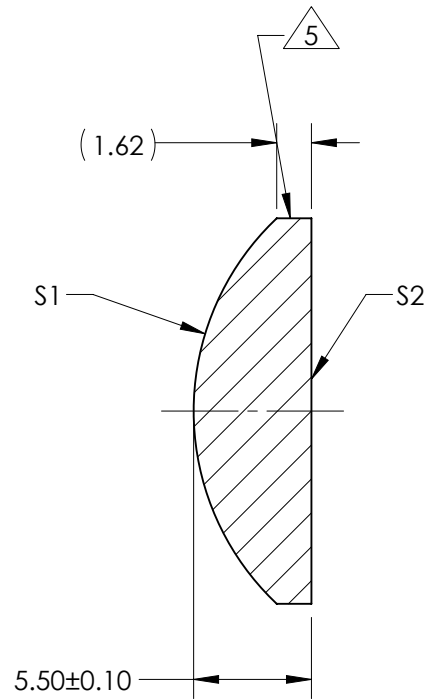
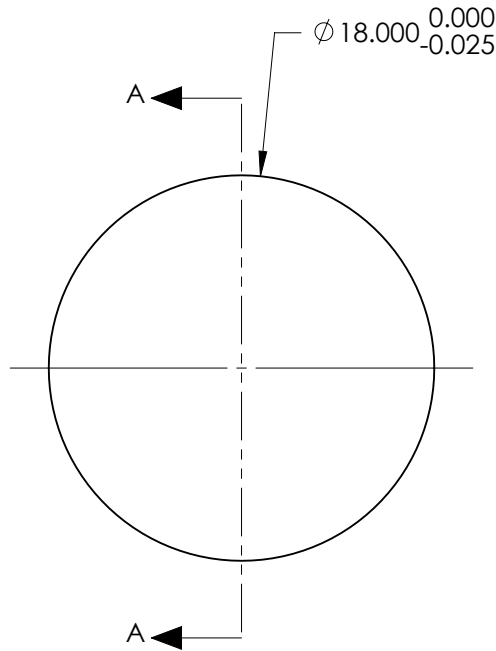


NOTES:

1. SUBSTRATE:
#REF!
 2. ROHS COMPLIANT
 3. CENTERING TOLERANCE (AT 587.6nm):
BEAM DEVIATION (HALF ANGLE): <1 ARCMIN
 4. COATING (APPLY ACROSS COATING APERTURE)
S1 & S2: NIR I
R(AVG) ≤ 0.5% FROM 600-1050nm @ 0° AOI
- 5 FINE GRIND SURFACE
6. POWER, IRREGULARITY, AND SURFACE QUALITY SPECIFICATIONS APPLY ACROSS CLEAR APERTURE
 7. FOCAL LENGTH (EFL): 27.00mm±1%
BACK FOCAL LENGTH (BFL): 23.23mm
 8. PROTECTIVE BEVEL AS NEEDED
 9. DESIGN WAVELENGTH: 587.6nm



SECTION A-A

**FOR INFORMATION ONLY:
DO NOT MANUFACTURE
PARTS TO THIS DRAWING**

| | S1 | S2 |
|-------------------------|------------|------------|
| SHAPE | CONVEX | PLANO |
| RADIUS | 12.38 | INFINITY |
| SURFACE QUALITY | 40 - 20 | 40 - 20 |
| MIN CLEAR APERTURE | ∅ 17.00 | ∅ 17.00 |
| MIN COATING APERTURE | N/A | N/A |
| POWER AT 632.8nm | 3.00 RINGS | 3.00 RINGS |
| IRREGULARITY AT 632.8nm | 0.50 RINGS | 0.50 RINGS |

SPECIFICATIONS SUBJECT TO CHANGE WITHOUT NOTICE
DIMENSIONS ARE FOR REFERENCE ONLY

EO® **Edmund Optics**®

| | | | |
|------------------------|----|--------|---|
| THIRD ANGLE PROJECTION | | TITLE | 18mm Dia x 27mm FL, NIR I Coated, Plano-Convex Lens |
| ALL DIMS IN | mm | DWG NO | 17985 |
| | | | SHEET 1 OF 1 |