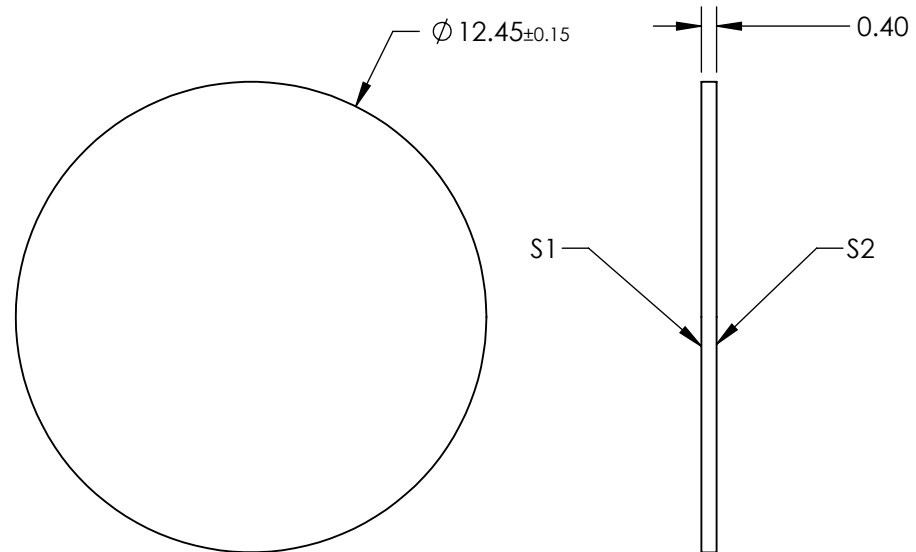
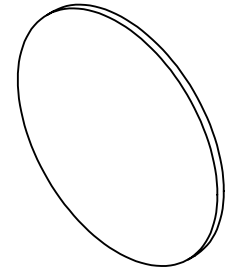


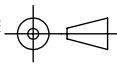
**FOR INFORMATION ONLY:  
DO NOT MANUFACTURE  
PARTS TO THIS DRAWING**



SPECIFICATIONS SUBJECT TO CHANGE WITHOUT NOTICE  
DIMENSIONS ARE FOR REFERENCE ONLY

**EO**® **Edmund Optics**®

	S1	S2
SHAPE	PLANO	PLANO
CLEAR APERTURE	>90%	>90%
FULL WIDTH HALF MAX (FWHM)	34.4nm	34.4nm
BEVEL	PROTECTED AS NEEDED	PROTECTED AS NEEDED

THIRD ANGLE PROJECTION 

ALL DIMS IN mm

TITLE	Everix Ultra-Thin OD 2 Bandpass Filter, 940nm, 12.5mm Dia.	
DWG NO	16843	SHEET 14 OF 14