

NOTES:

1. SUBSTRATE: VACUUM UV GRADE CaF2

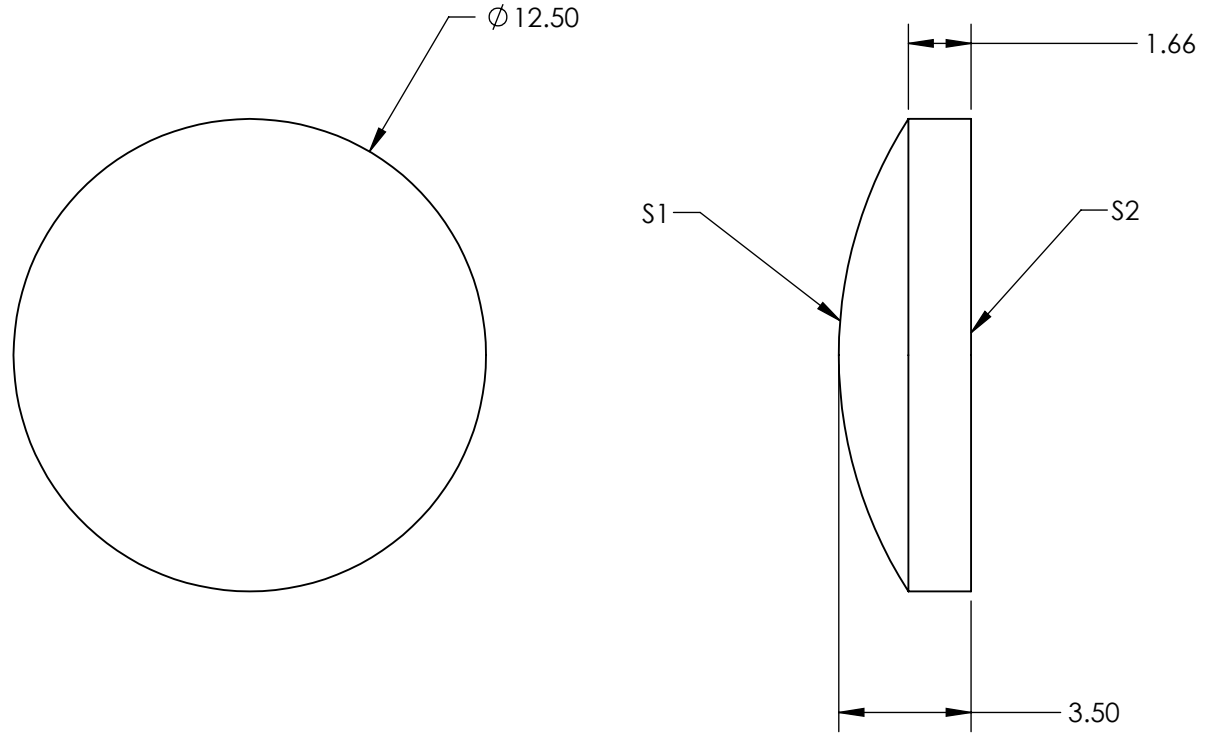
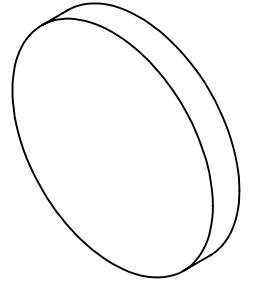
2. COATING

S1: NIR II (750-1550nm)

S2: NIR II (750-1550nm)

3. CENTERING: 2.06 arcmin

4. RoHS: COMPLIANT



**FOR INFORMATION ONLY:  
DO NOT MANUFACTURE  
PARTS TO THIS DRAWING**

SPECIFICATIONS SUBJECT TO CHANGE WITHOUT NOTICE  
DIMENSIONS ARE FOR REFERENCE ONLY

	S1	S2
SHAPE	CONVEX	PLANO
RADIUS	11.55	INFINITY
SURFACE QUALITY	40-20	40-20
CLEAR APERTURE	$\varnothing 11.5$	$\varnothing 11.5$
BEVEL	PROTECTED AS NEEDED	PROTECTED AS NEEDED



ALL DIMS IN mm



TITLE	LENS PCX CAF2 12.5 X 25 NIR II CTD	
DWG NO	22526	SHEET 12 OF 20