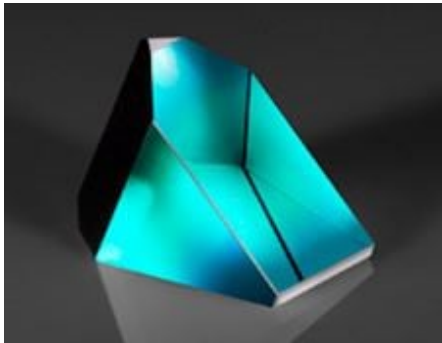


[All Products](#) / [Optics](#) / [Prisms](#) / [Image Rotation Prisms](#)

TECHSPEC® Schmidt Prisms



- Ray Deviation of 45°
- Right Handed Image
- 5 Arcsecond Roof Angle Tolerance
- Combine with Half-Penta Prism to Create Schmidt-Pechan Prism

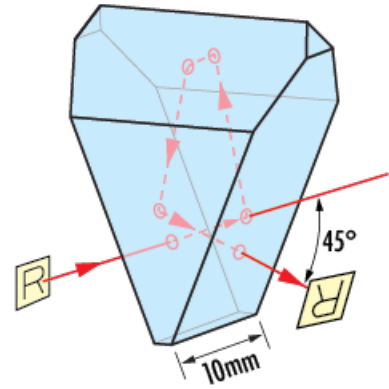
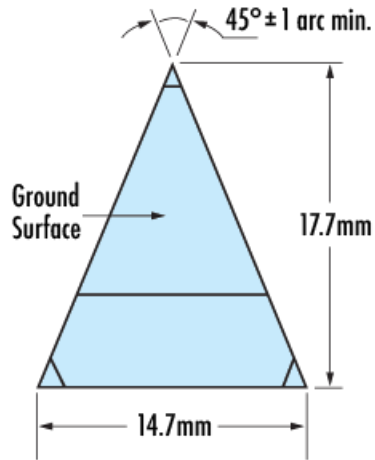
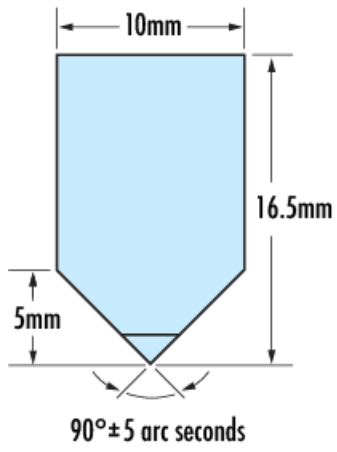
Common Specifications

Physical & Mechanical Properties

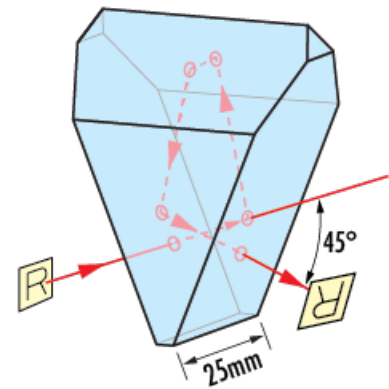
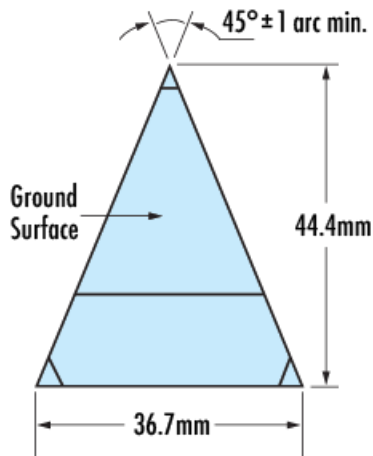
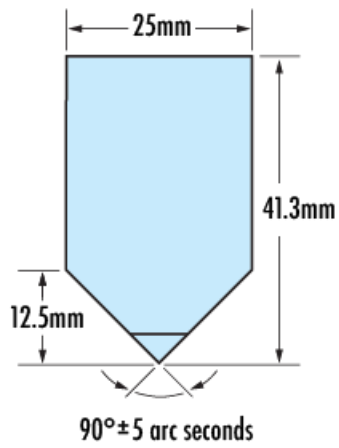
Dimensional Tolerance (mm):	±0.1	Bevel:	Protective as needed
Optical Properties			
Surface Quality:	40-20	Angle Tolerance (arcmin):	5.00
Image Orientation:	Right-Handed	Ray Deviation (°):	45
Wavelength Range (nm):	400 - 700	Power (fringes) @ 632.8nm:	1.00
Irregularity (fringes) @ 632.8nm:	0.25		

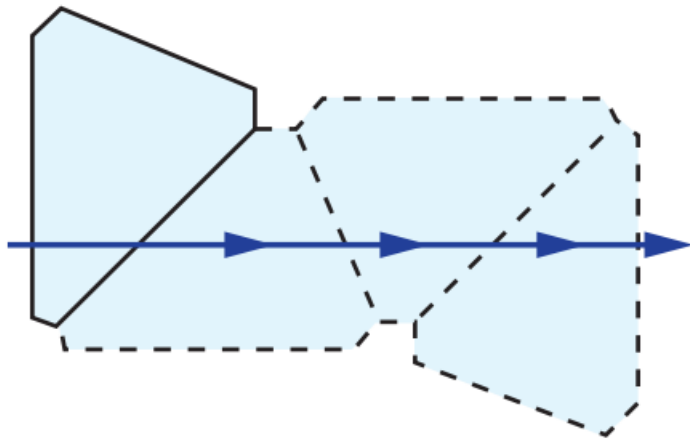
Technical Information

#47-259



#47-260





Schmidt Prism Tunnel Diagram

Products

Width (mm)	Height (mm)	Length (mm)	Coating	Wavelength Range (nm)	Stock Number	Price	Buy
10.00	16.5	14.70	VIS 0° & Aluminized	400 - 700	#47-259	€204,00 Volume Pricing	20+ In Stock
25.00	41.3	36.70	VIS 0° & Aluminized	400 - 700	#47-260	€241,00 Volume Pricing	20+ In Stock
25.00	41.3	36.74	VIS 0° Phase Correcting	400 - 700	#13-805	€655,00 Volume Pricing	5 In Stock



Copyright 2025 | Edmund Optics BV, De Maas 22B, 5684 PL Best, The Netherlands

Phone: 1-800-363-1992 :

www.edmundoptics.com