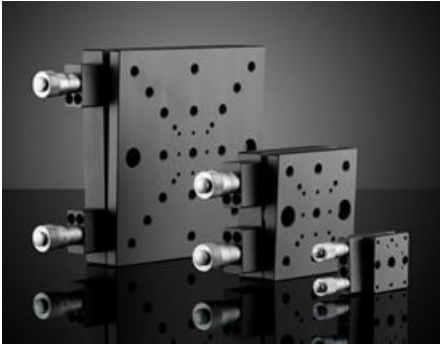


[All Products](#) / [Optomechanics](#) / [Manual Stages and Slides](#) / [Manual Stages and Slides](#)

TECHSPEC® Tip-Tilt Stages



- Metric and English Hole Pattern Versions Available
- Tilt Control in Two Axes (Kinematic Movement)
- Precision Micrometer Drive
- Mechanically Compatible to Other TECHSPEC® Stages

Common Specifications

Physical & Mechanical Properties

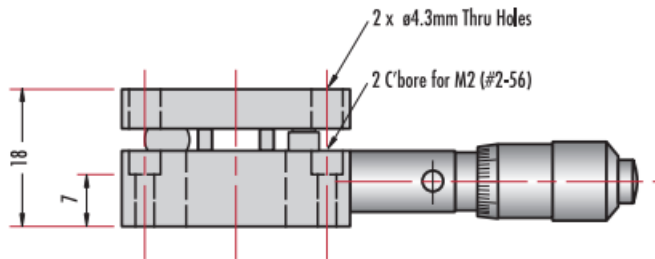
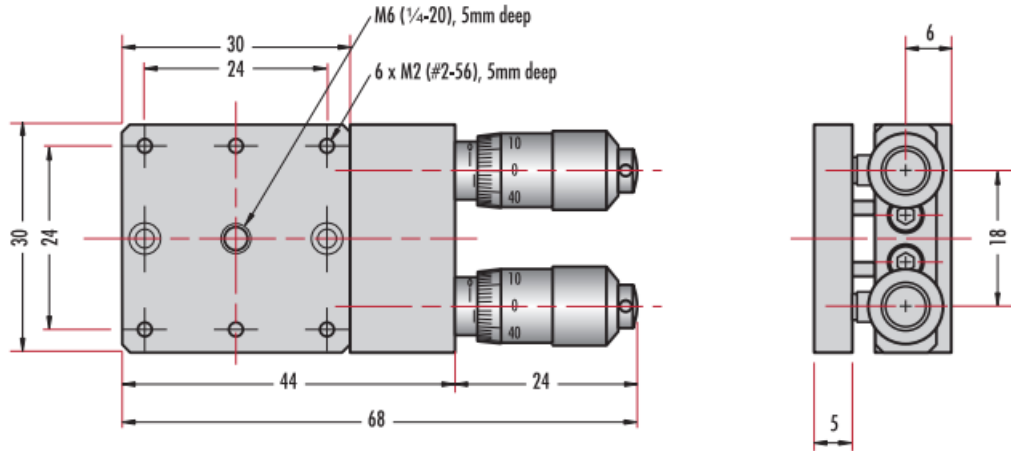
Type of Movement: Tip-Tilt

Construction: Aluminium Stage

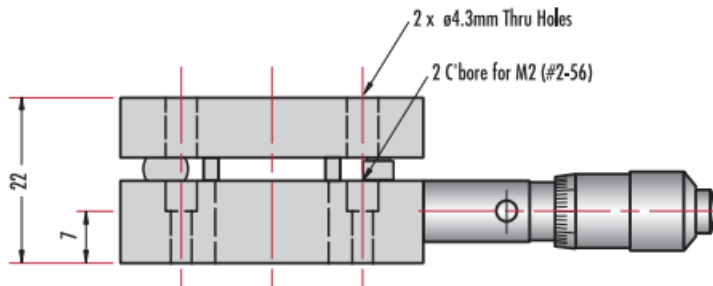
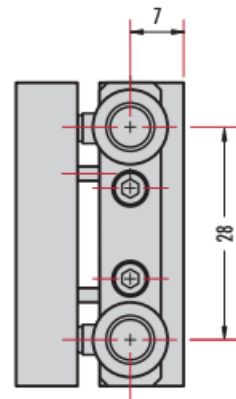
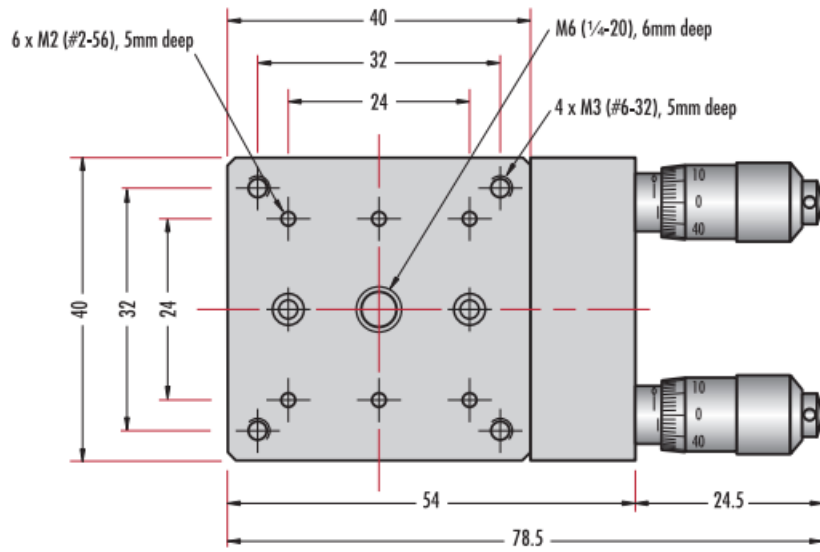
Hardware & Interface Connectivity

Type of Drive: Metric Micrometer

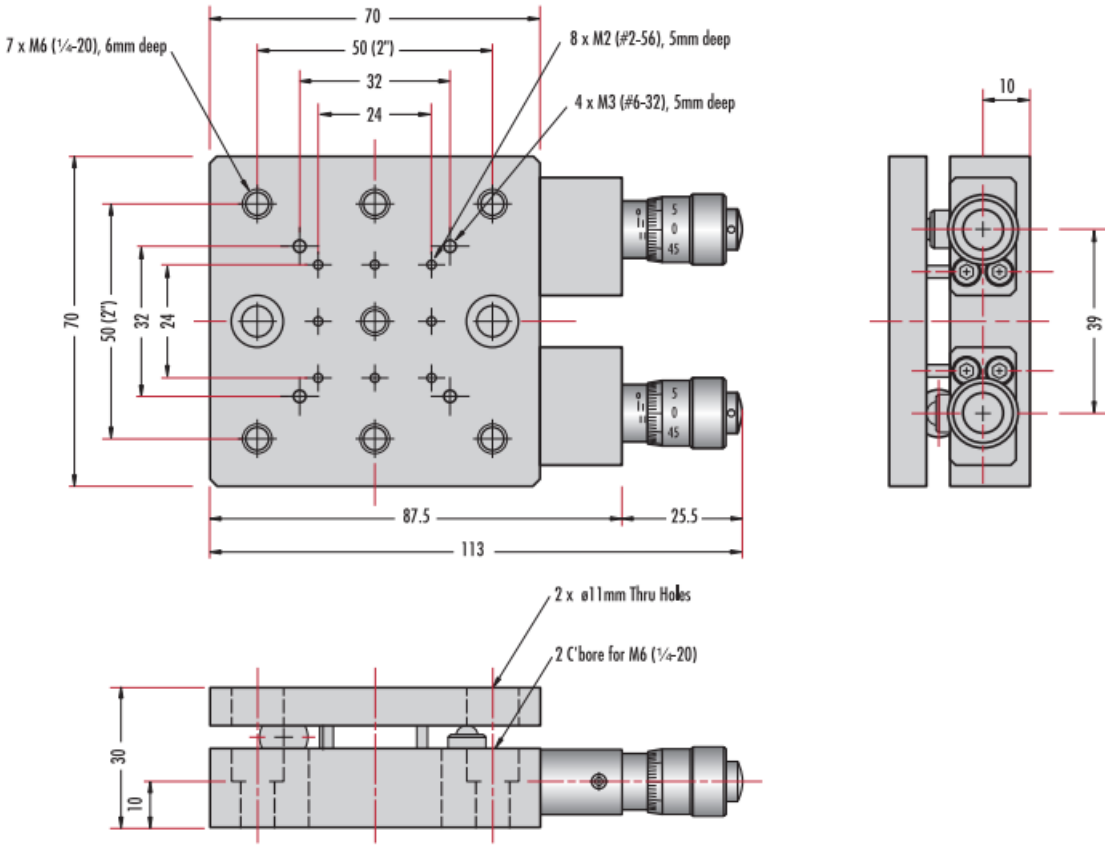
30mm Tip Tilt Stages



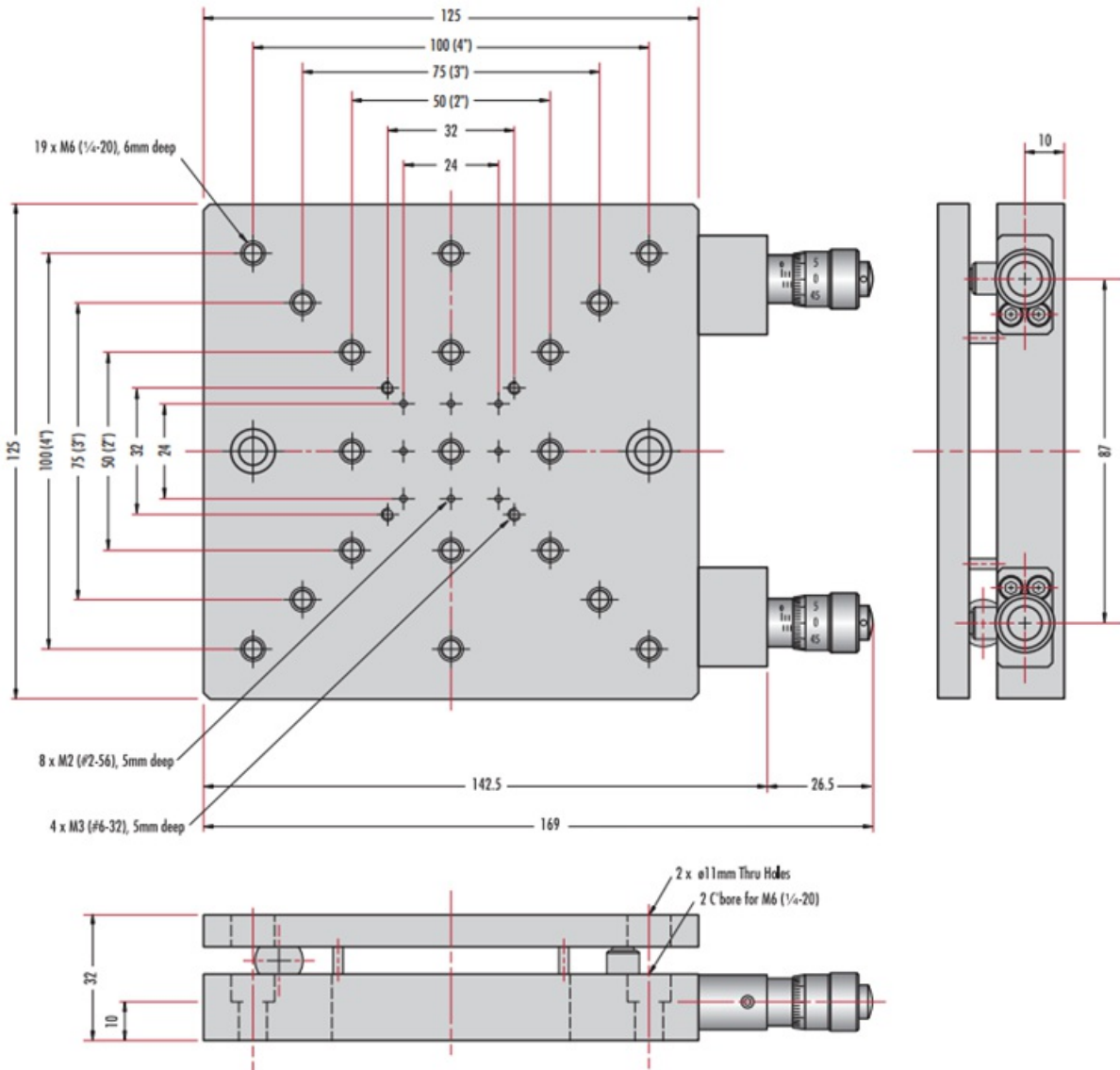
40mm Tip Tilt Stages



70mm Tip Tilt Stages



125mm Tip Tilt Stages



Products

Stage Size (mm)	Type	Type of Drive	Travel (°)	Load Capacity (kg)	Stock Number	Price	Buy
30 x 30	English	Metric Micrometer	±3	2	#66-541	€425,00 Volume Pricing	5 In Stock
30 x 30	Metric	Metric Micrometer	±3	2	#66-543	€425,00 Volume Pricing	3 In Stock
40 x 40	English	Metric Micrometer	±3	2	#66-545	€465,00 Volume Pricing	5 In Stock
40 x 40	Metric	Metric Micrometer	±3	2	#66-547	€465,00 Volume Pricing	8 In Stock
70 x 70	English	Metric Micrometer	±3	3	#66-549	€515,00 Volume Pricing	1 In Stock
70 x 70	Metric	Metric Micrometer	±3	3	#66-551	€515,00 Volume Pricing	12 In Stock
125 x 125	English	Metric Micrometer	±2	4	#66-553	€665,00 Volume Pricing	Contact Us
125 x 125	Metric	Metric Micrometer	±2	4	#66-555	€665,00 Volume Pricing	10 In Stock



Copyright 2025 | Edmund Optics BV, De Maas 22B, 5684 PL Best, The Netherlands
Phone: 1-800-363-1992 :
www.edmundoptics.com