

**TECHSPEC® 0.25X - 0.5X VariMagTL™ Telecentric Lens**



VisionSystems



**Innovators**

**Awards**

**SILVER**

0.25X - 0.5X VariMagTL™ Telecentric Lens, #88-385



Stock **#88-385** **17 In Stock**

⊖ 1 ⊕ €2.505<sup>00</sup>

**ADD TO CART**

Volume Pricing

Qty 1+	€2.505,00 each
Need More?	<a href="#">Request Quote</a>

ⓘ Prices shown are exclusive of VAT/local taxes

Product Downloads

General

VariMag TC Series **Product Family:**

**Stock No. of Mounting Clamp:**  
#56-025 Sold Separately

Telecentric Lens **Type:**

Special Type of Lens:  
Variable Magnification Telecentric

## Physical & Mechanical Properties

Variable Iris Option:  
177.90 Length (mm):  
65.0 Maximum Diameter (mm):  
942 Weight (g):

## Optical Properties

75 lp/mm @ >20% Resolution:  
11.00 Maximum Image Circle (mm):  
<0.1 Typical Telecentricity @ 588nm (°):  
<0.1 Typical Distortion @ 588nm (%):  
0.25X - 0.5X Primary Magnification PMAG:  
100.1 - 145 Working Distance (mm):  
35.2 x 26.4 - 17.6 x 13.2 FOV @ Max Sensor Format, H x V (mm):  
f/6 - Closed Aperture (f#):  
Variable Depth of Field (mm):  
VIS Lens Wavelength Range:

## Sensor

2/3" Maximum Sensor Format:  
2.74 Pixel Size (µm):

## Threading & Mounting

M62 x 0.75 (Female) Filter Thread:  
C-Mount Mount:

## Regulatory Compliance

[View](#) Certificate of Conformance:

## Product Details

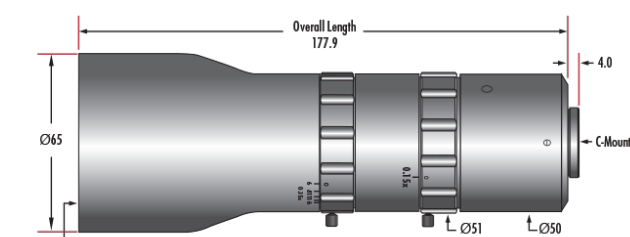
- Variable Magnification Telecentric Lens
- Up to 5 MegaPixels, 3.45µm Pixel Size Sensors
- 2/3", C-Mount Telecentric Lens
- Magnification from 0.15X to 3X

TECHSPEC® VariMagTL™ Telecentric Lenses are designed for applications that may require constant adjustment of a system's field of view. Each lens provides a range of magnifications that users can adjust or lock down with a set screw. With coverage for up to 2/3" format sensors, these telecentric lenses feature compact, C-mount compatible designs for easy system integration. TECHSPEC VariMagTL™ Telecentric Lenses also include an adjustable iris to control light throughput and improve image quality. These lenses are ideal for use in semiconductor or electronics inspection and [factory automation](#) applications.

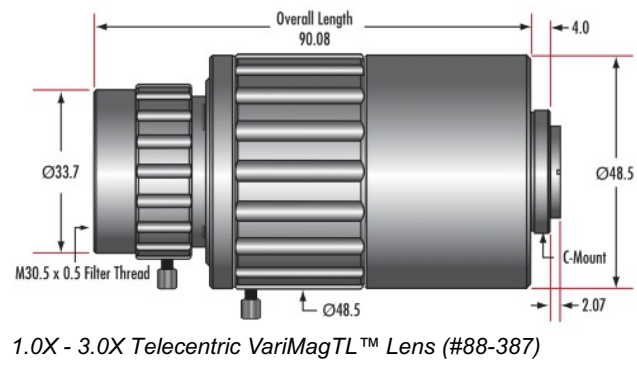
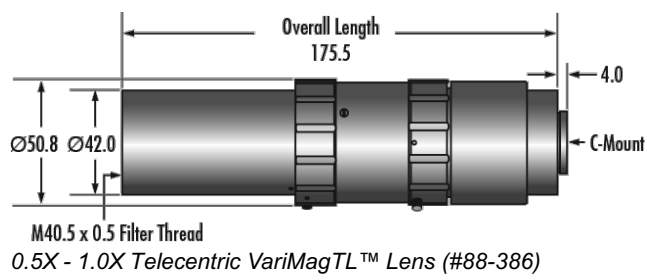
These lenses won the [Silver Level 2015 Innovators Award](#).

**Note:** Customized fixed versions are also available to meet volume requirements. Please contact [technical support](#) to discuss your specific requirements.

## Technical Information



0.25X - 0.5X Telecentric VariMagTL™ Lens (#88-385)



0.25X-0.50X Telecentric Lens, #88-385						
Magnification	0.25X	0.30X	0.35X	0.40X	0.45X	0.50X
Working Distance (mm)	145	124.5	112	104	100.2	100.1
Field of View (mm)*	35.2	29.3	25.1	22	19.6	17.6
0.5X - 1.0X Telecentric Lens, #88-386						
Magnification	0.5X	0.6X	0.7X	0.8X	0.9X	1.0X
Working Distance (mm)	115	106	102	100	100	100
Field of View (mm)*	17.6	14.67	12.6	11	9.78	8.8
1.0X - 3.0X Telecentric Lens, #88-387						
Magnification	1.0X	1.5X	2.0X	2.5X	3.0X	
Working Distance (mm)	71.6	61	55.6	52.4	50.3	
Field of View (mm)*	8.8	5.87	4.4	3.5	2.93	