

TECHSPEC® 0.60X SilverTL™ Telecentric Lens



0.60X Magnification



Stock #56-678 **20+ In Stock**

- 1 + €1.125⁰⁰

ADD TO CART

Volume Pricing

| | |
|------------|-------------------------------|
| Qty 1+ | €1.125,00 each |
| Need More? | Request Quote |

ⓘ Prices shown are exclusive of VAT/local taxes

Product Downloads

General

SilverTL™ Series **Product Family:**

Stock No. of Mounting Clamp:
#56-870 Sold Separately

Telecentric Lens **Type:**

Physical & Mechanical Properties

Variable Iris Option:

156.00 Length (mm):

156.00 Length excluding Threads (mm):

42.00 Maximum Diameter (mm):

212 Weight (g):

Anodized Aluminum Construction:

Optical Properties

12mm Horizontal Field of View, 1/1.8" Sensor:

10.7mm Horizontal Field of View, 1/2" Sensor:

8mm Horizontal Field of View, 1/3" Sensor:

9.00 Maximum Image Circle (mm):

0.05 Numerical Aperture NA, Object Side:

±3 Working Distance Tolerance (mm):

>40% @ 40 lp/mm Resolution, Image Space MTF @ f/10:

7 (4) Number of Elements (Groups):

<0.007 Typical Telecentricity @ 588nm (°):

<0.035 Typical Distortion @ 588nm (%):

0.6X Primary Magnification PMAG:

0.60 Telecentric Lens Magnification:

103.00 Working Distance (mm):

12.0 x 9.0 FOV @ Max Sensor Format, H x V (mm):

f/6 - f/22 Aperture (f/#):

425 - 675nm BBAR Coating:

±1.4 at f/10 (20% @ 20 lp/mm) Depth of Field (mm):

0.6X Magnification:

VS Lens Wavelength Range:

Sensor

1/1.8" Maximum Sensor Format:

2.74 Pixel Size (µm):

Threading & Mounting

M40.5 x 0.50 (Female) Filter Thread:

C-Mount Mount:

Regulatory Compliance

[Compliant](#) RoHS 2015:

[View](#) Certificate of Conformance:

Reach 240:

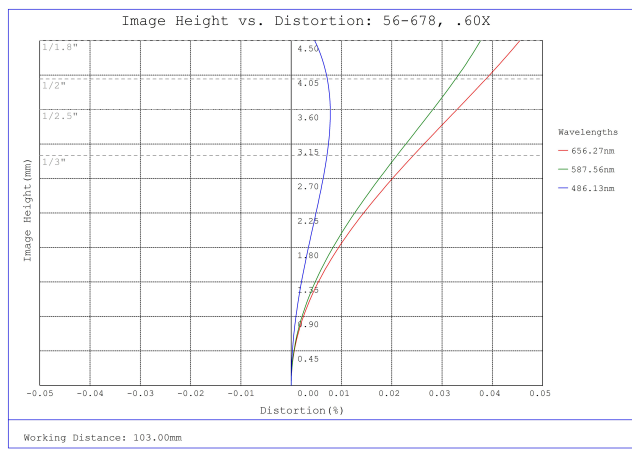
Product Details

- High Resolution f/6 Bi-Telecentric Lens with Inline Illumination Options
- Up to 7.5 MegaPixels, 2.8 μ m Pixel Size Sensors
- Up to 2/3", C-Mount Telecentric Lens
- Magnification from 0.16X to 4X

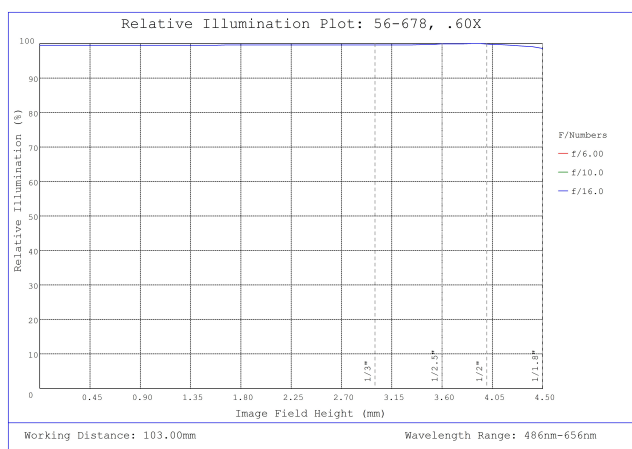
TECHSPEC® SilverTL™ Telecentric Lenses are ideal for both on-line and off-line machine vision production applications that require accurate measurements. These lenses combine high-quality optics with a simplified non-focusing mechanical design and an adjustable iris with a locking set screw. These lenses are designed for metrology and gauging applications. TECHSPEC® SilverTL™ Telecentric Lenses also offer inline illumination options for maximum versatility. Each lens also features a standard front filter thread for use with [color filters](#), [polarizers](#), [protective windows](#), and [illumination adapters](#) for LED or fiber-optic ring lights.

Note: Mounting brackets are available that fit the 30mm diameter mounting surface.

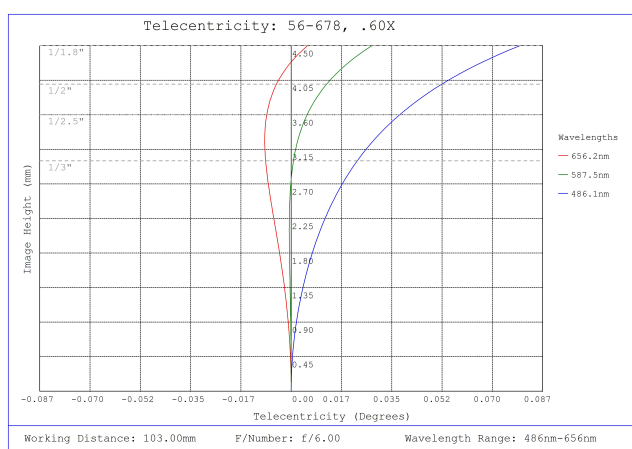
Technical Information



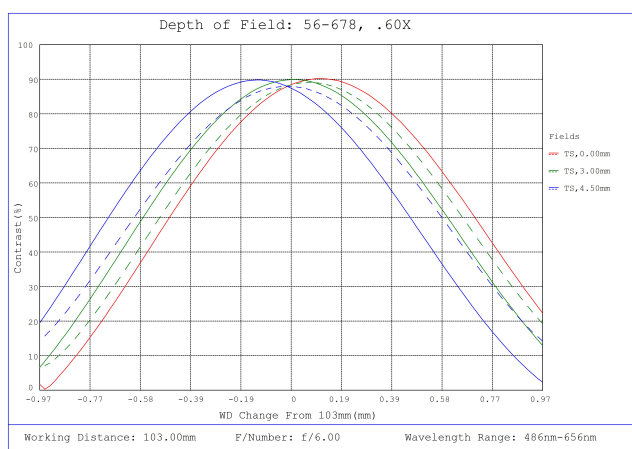
#56-678, 0.60X SilverTL™ Telecentric Lens, Distortion Plot



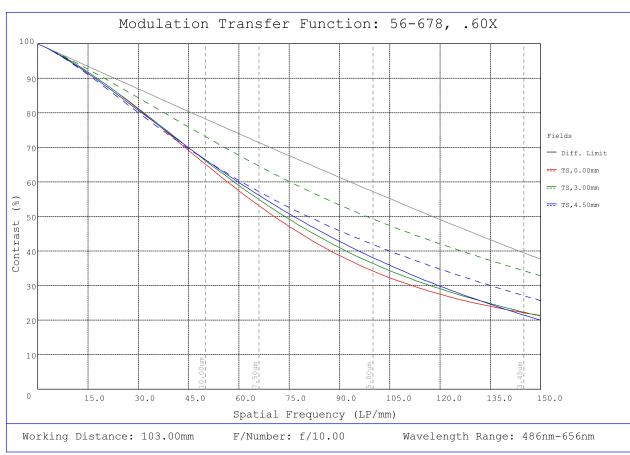
#56-678, 0.60X SilverTL™ Telecentric Lens, Relative Illumination Plot



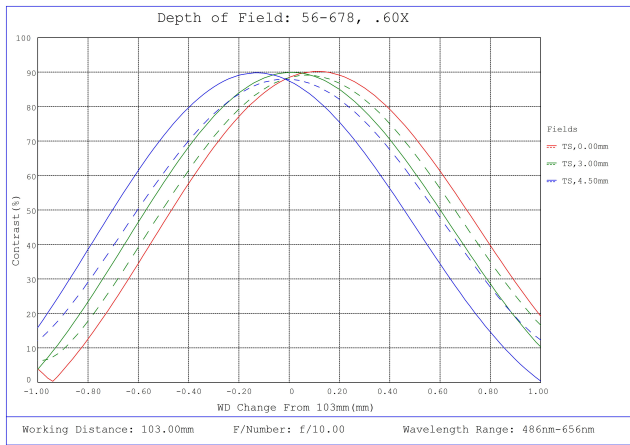
#56-678, 0.60X SilverTL™ Telecentric Lens, Telecentricity Plot



#56-678, 0.60X SilverTL™ Telecentric Lens, Depth of Field Plot, 103mm Working Distance, f6

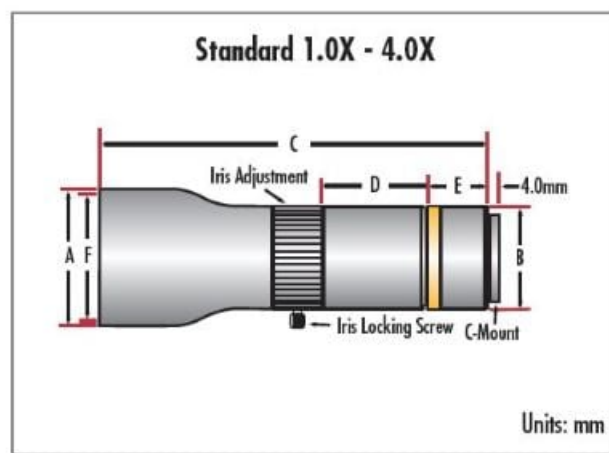
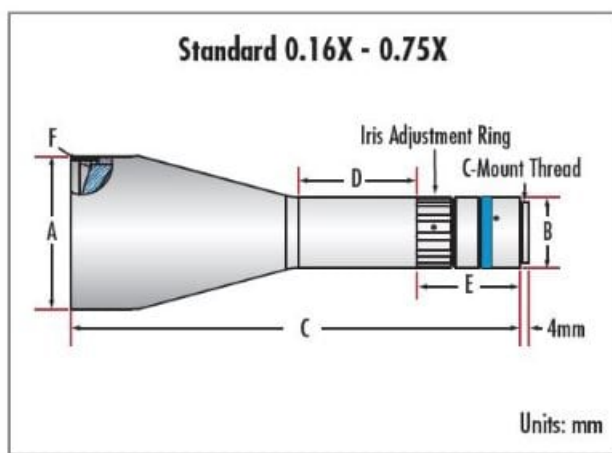


#56-678, 0.60X SilverTL™ Telecentric Lens, Modulated Transfer Function (MTF) Plot, 103mm Working Distance, f10



#56-678, 0.60X SilverTL™ Telecentric Lens, Depth of Field Plot, 103mm Working Distance, f10

| Stock Number | Primary Mag. | Max. Diameter A | Mounting Diameter B | Length C | Mounting Length D | Mounting Offset E | Filter Thread F |
|-------------------|--------------|-----------------|---------------------|----------|-------------------|-------------------|-----------------|
| #56-675 | 0.16X | 65mm | 30mm | 191mm | 50mm | 43mm | M62 x 0.75 |
| #63-073 | 0.20X | 60mm | 30mm | 188mm | 42mm | 45mm | M58 x 0.75 |
| #56-676 | 0.25X | 48mm | 30mm | 158mm | 49mm | 44mm | M46 x 0.75 |
| #58-428 | 0.30X | 46mm | 30mm | 158mm | 60mm | 43mm | M43 x 0.75 |
| #56-677 | 0.40X | 45mm | 30mm | 159mm | 67mm | 33mm | M43 x 0.75 |
| #63-074 | 0.50X | 40mm | 30mm | 153mm | 42mm | 68mm | M37 x 0.75 |
| #88-344 (In-Line) | | | | 156.2mm | 45.1mm | 73.4mm | |
| #56-678 | 0.60X | 42mm | 30mm | 156mm | 57mm | 46mm | M40.5 x 0.5 |
| #67-731 | 0.75X | 36mm | 30mm | 151.2mm | 34mm* | 82.2mm | M30.5 x 0.5 |
| #88-346 (In-Line) | | | | 155.2mm | 46.2mm | 16.9mm | |
| #58-430 | 1.0X | 40mm | 30mm | 114mm | 32mm* | 17mm | M37 x 0.75 |
| #58-431 | 2.0X | 45mm | 30mm | 141mm | 45mm | 17mm | M43 x 0.75 |
| #88-348 (In-Line) | | | | 144.6mm | 42.2mm | 18.8mm | |
| #58-432 | 4.0X | 61mm | 30mm | 249mm | 99mm | 17mm | M58 x 0.75 |



*Mounting clamp fits over iris