

TECHSPEC® 0.75X M Series Fixed Magnification Non-Telecentric Lens



Stock #87-532 **13 In Stock**

⊖ 1 ⊕ €500⁰⁰

ADD TO CART

Volume Pricing	
Qty 1+	€500,00 each
Need More?	Request Quote

ⓘ Prices shown are exclusive of VAT/local taxes

Product Downloads

General

Fixed Magnification Lens **Type:**

Non-Telecentric, Fixed Magnification **Style:**

Physical & Mechanical Properties

Variable **Iris Option:**

65.80	Length (mm):
30	Maximum Diameter (mm):
0	Maximum Rear Protrusion (mm):

Optical Properties

Field of View at Max Sensor Format:	
Horizontal: 11.7mm - 6.6°	
Vertical: 8.8mm - 4.9°	
Diagonal: 14.7mm - 8.2°	
75 lp/mm @ >20%	Resolution:
11.00	Maximum Image Circle (mm):
0.0488	Numerical Aperture NA, Object Side:
5 (4)	Number of Elements (Groups):
<0.02	Typical Distortion @ 588nm (%):
0.75X	Primary Magnification PMAG:
74.5	Working Distance (mm):
11.7 x 8.8	FOV @ Max Sensor Format, H x V (mm):
f/4 - f/22	Aperture (f/#):
M4 MgF ₂ @ 550nm	Coating Specification:
22.56	Entrance Pupil Position (mm):
13.59	Object Space Principal Plane (mm):
-16.06	Image Space Principal Plane (mm):
0.01	Maximum Distortion (%):
-8.74	Exit Pupil Position (mm):
VIS	Lens Wavelength Range:

Sensor

2/3"	Maximum Sensor Format:
------	-------------------------------

Threading & Mounting

M25.5 x 0.50 (Female)	Filter Thread:
C-Mount	Mount:

Regulatory Compliance

View	Certificate of Conformance:
----------------------	------------------------------------

Product Details

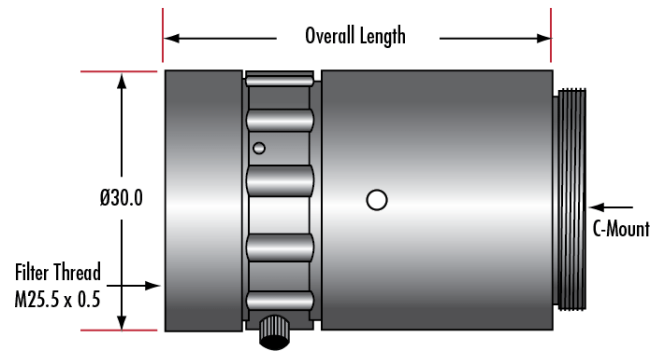
- Variable Magnification Lens
- Up to 5 MegaPixels, 3.45m Pixel Size Sensors
- 2/3", C-Mount Lens

TECHSPEC® M Series Variable Magnification Lenses are designed for applications that may require constant adjustment of a system's field of view. Each lens provides a range of magnifications that users can adjust or lock down with a set screw. With coverage for up to 2/3" format sensors, these lenses feature compact, C-mount compatible designs for easy system integration. TECHSPEC® M Series Variable Magnification Lenses also include an adjustable iris to control light throughput and improve image quality. These lenses are ideal for use in high magnification machine vision and factory automation.

Note: Customized magnification versions are also available to meet volume requirements. Please contact technical support to discuss your specific requirements.

Technical Information

Fixed Magnification Lens



;