

[See all 76 Products in Family](#)

**TECHSPEC® 100mm, f/4 Ci Series Fixed Focal Length Lens**



TECHSPEC® Ci Series Fixed Focal Length Lenses



Stock #15-509 **1 In Stock**

⊖ 1 ⊕ €350.<sup>00</sup>

**ADD TO CART**

| Volume Pricing |                               |
|----------------|-------------------------------|
| Qty 1-24       | €350,00 each                  |
| Qty 25+        | €315,00 each                  |
| Need More?     | <a href="#">Request Quote</a> |

ⓘ Prices shown are exclusive of VAT/local taxes

Note: This item requires accessories for use | [Learn More](#)

Product Downloads

**General**

Ci Series **Product Family:**

Fixed Focal Length Lens **Type:**

## Physical & Mechanical Properties

|       |                                      |
|-------|--------------------------------------|
| Fixed | <b>Iris Option:</b>                  |
| 81.80 | <b>Length (mm):</b>                  |
| 48    | <b>Maximum Diameter (mm):</b>        |
| 48    | <b>Outer Diameter (mm):</b>          |
| 1.64  | <b>Maximum Rear Protrusion (mm):</b> |

## Optical Properties

|   |   |
|---|---|
| Horizontal: 7.28°<br>Vertical: 5.48°<br>Diagonal: 9.07° | <b>Field of View at Max Sensor Format:</b>      |
| 5.02°   | <b>Horizontal Field of View, 2/3" Sensor:</b>   |
| 4.11°   | <b>Horizontal Field of View, 1/1.8" Sensor:</b> |
| 3.66°   | <b>Horizontal Field of View, 1/2" Sensor:</b>   |
| 3.29°   | <b>Horizontal Field of View, 1/2.5" Sensor:</b> |
| 21.60   | <b>Maximum Image Circle (mm):</b>               |
| 0.016   | <b>Numerical Aperture NA, Object Side:</b>      |
| 6 (5)   | <b>Number of Elements (Groups):</b>             |
| 100.00  | <b>Focal Length FL (mm):</b>                    |
| 750 - ∞   | <b>Working Distance (mm):</b>                   |
| f/4   | <b>Aperture (f/#):</b>                          |
| 425 - 675nm BBAR  | <b>Coating Specification:</b>                   |
| 31.419  | <b>Entrance Pupil Position (mm):</b>            |
| 21.64   | <b>Object Space Principal Plane (mm):</b>       |
| -98.34  | <b>Image Space Principal Plane (mm):</b>        |
| 0.866   | <b>Maximum Distortion (%):</b>                  |
| -50.496   | <b>Exit Pupil Position (mm):</b>                |
| VIS   | <b>Lens Wavelength Range:</b>                   |

## Sensor

|      |                               |
|------|-------------------------------|
| 1"   | <b>Maximum Sensor Format:</b> |
| 2.74 | <b>Pixel Size (µm):</b>       |

## Threading & Mounting

|                     |                       |
|---------------------|-----------------------|
| M46 x 0.75 (Female) | <b>Filter Thread:</b> |
| C-Mount             | <b>Mount:</b>         |

## Environmental & Durability Factors

|   |                               |
|---|-------------------------------|
| Industrial (Fixed Aperture with Simplified Mechanics) | <b>Type of Ruggedization:</b> |
|---|-------------------------------|

## Regulatory Compliance

|                      |                                    |
|----------------------|------------------------------------|
| <a href="#">View</a> | <b>Certificate of Conformance:</b> |
|----------------------|------------------------------------|

## Product Details

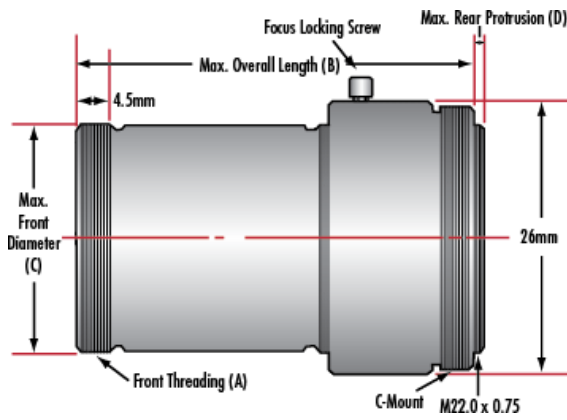
- Up to 2/3", C-Mount Lens
- Up to 7.5 MegaPixels, 2.8µm Pixel Size Sensors
- Instrumentation (Ci) Versions of our C Series Lenses with Streamlined Mechanical Designs and Fixed Apertures
- 3.5mm to 50mm Focal Length
- [Ruggedized \(Cr\) Designs](#) Also Available

TECHSPEC® Ci Series Fixed Focal Length Lenses are a streamlined version of our C Series Fixed Focal Length Lenses. They feature the same low lens-to-lens variation and broadband anti-reflection (BBAR) coating for maximum light transmission, while offering reduced weight and size. An adjustable, lockable focus allows for setting and locking the best focus position for instrumentation integration. TECHSPEC® Ci Series Fixed Focal Length Lenses are designed specifically for volume integration into applications such as factory inspection and automation to benchtop biomedical devices. The Ci Series offers a wide range of aperture options, ensuring maximum flexibility of resolution, throughput, and depth of field.

Edmund Optics has created a family of high performance optical designs (the C Series family) and developed 6 customized optomechanical solutions targeted for specific applications. These lens sub-families utilize the same optics as the C Series lenses providing the same optical performance in a variety of optomechanical solutions to meet your application requirements:

- **C Series:** Features locking cam focus and iris adjustment and is the most adjustable version of these optical designs; they are the typical high quality machine vision lenses. Also available with a [VIS-NIR Broadband Anti-Reflection \(BBAR\) Coating](#).
- **Ci Series:** Simplified mechanics featuring fixed apertures with compact housing. [Industrial Ruggedization](#) for reduced size, cost, and locked focus.
- **Cr Series:** All optics glued in place and a locking C-clamp focus ring. [Stabilized Ruggedization](#) for reduced pixel shift and improved focus stability.
- **Cx Series:** Modular, flexible mechanics allows lenses to be taken apart for easy integration of accessories such as liquid lenses, apertures, and more.
- **Liquid Lens Cx Series:** Designed with an integrated liquid lens for quick autofocus.
- **Cw Series:** Waterproof, designed to meet IEC [Ingress Protection](#) Code IPX7 and IPX9K.

## Technical Information



| Focal Length | A            | B      | C      | D      |
|--------------|--------------|--------|--------|--------|
| 6mm          | M34.0 x 0.5  | 47.8mm | 34mm   | 1.17mm |
| 12mm         | M22.0 x 0.75 | 29.0mm | 22mm   | 0.96mm |
| 16mm         | M22.0 x 0.75 | 40.8mm | 22mm   | 1.09mm |
| 25mm         | M22.0 x 0.75 | 29.9mm | 22mm   | 1.33mm |
| 35mm         | M25.5 x 0.5  | 41mm   | 22.5mm | 3.82mm |
| 50mm         | M30.5 x 0.5  | 49.5mm | 30.5mm | 2.06mm |

