

[See all 97 Products in Family](#)

TECHSPEC® 10mm FL f/5.6, Blue Series IR-Cut M12 Lens



Stock #24-456 **20+ In Stock**

- 1 + €80.⁰⁰

ADD TO CART

| Volume Pricing | |
|----------------|-------------------------------|
| Qty 1-49 | €80,00 each |
| Qty 50+ | €64,00 each |
| Need More? | Request Quote |

ⓘ Prices shown are exclusive of VAT/local taxes

Product Downloads

General

Blue Series **Product Family:**

M12 Imaging Lens **Type:**

Yes **IR Cut Filter:**

IR-Cut Filter

Special Type of Lens:

Physical & Mechanical Properties

| | |
|-------|------------------------|
| Fixed | Iris Option: |
| 17.00 | Length (mm): |
| 14 | Maximum Diameter (mm): |
| 14 | Outer Diameter (mm): |
| 5 | Weight (g): |

Optical Properties

Horizontal Field of View @ Max Sensor Format:
27.1°

Field of View at Max Sensor Format:
Horizontal: 71.8mm - 27.1°
Vertical: 53.8mm - 20.5°
Diagonal: 89.9mm - 33.6°

Horizontal Field of View, 1/3" Sensor:
71.8mm - 27.1°

Horizontal Field of View, 1/4" Sensor:
53.8mm - 20.5°

Maximum Image Circle (mm):
6.00

Numerical Aperture NA, Object Side:
0.0056

Number of Elements (Groups):
5(4)

Wavelength Range (nm):
400 - 700

Focal Length FL (mm):
10.00

Working Distance (mm):
150 - ∞

Aperture (f#):
f/5.6

Distortion (%):
-0.25 @ Full Field

Back Focal Length BFL (mm):
6.6 - 6.3

Coating Specification:
λ/4 MgF₂ @ 550nm

Entrance Pupil Position (mm):
8.45

Object Space Principal Plane (mm):
8.24

Image Space Principal Plane (mm):
-3.29

Maximum Distortion (%):
-0.25

Exit Pupil Position (mm):
-3.08

Lens Wavelength Range:
VIS (IR-Cut Filter)

Sensor

| | |
|------|------------------------|
| 1/3" | Maximum Sensor Format: |
| 1.40 | Pixel Size (μm): |

Threading & Mounting

| | |
|--------------------|----------------|
| N/A | Filter Thread: |
| S-Mount (M12 x0.5) | Mount: |

Regulatory Compliance

RoHS 2015:
Compliant

Product Details

- Up to 1/2", S-Mount Lens
- Up to 5 MegaPixels, 1.4µm Pixel Size Sensors
- High Resolution Board Camera Lens Optimized for Close WD
- 2mm to 35mm Focal Length
- [Ruggedized Designs](#) Also Available

TECHSPEC® Blue Series M12 Lenses feature high resolution performance, along with the same great versatility of our [TECHSPEC® Green Series M12 Lenses](#). Each lens consists of several precision glass elements mounted in a compact, aluminum housing. These lenses can connect to C-Mount cameras using the M12 x 0.5 Adapter for C-Mount Cameras ([#53-675](#)) or the M12 x 0.5 C-Mount Adapter with Rubber O-Ring ([#59-241](#)) for vibration-sensitive environments. TECHSPEC® Blue Series M12 Lenses are ideal for automotive, industrial, and medical imaging application. Prescription data is available by submitting a [Request for Prescription Form](#).

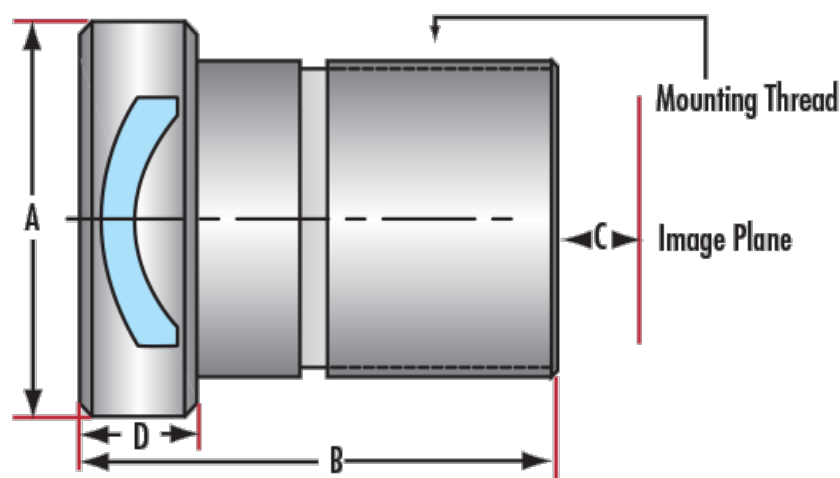
Note: Compatible [TECHSPEC® M12 Imaging Lens Accessories](#) available.

Edmund Optics has created multiple product families of our TECHSPEC® M12 S-Mount Lenses, which are designed to provide high resolution. These high performance lenses feature precision glass designs in a metal housing and have optimized specifications between each product family to meet your application needs.

- **Blue Series M12 Lenses:** High resolution finite conjugate designs optimized for machine vision working distances.
- **Rugged Blue Series M12 Lenses:** [Stabilized ruggedization](#) versions of our Blue Series M12 Lenses, utilizing the same optics.
- **Green Series M12 Lenses:** Finite conjugate designs optimized for machine vision working distances.
- **Red Series M12 Lenses:** Infinite conjugate designs optimized for high resolution performance out to infinity.
- **HEO Series M12 Lenses:** Harsh Environment Optics (HEO) sealed versions of our Red Series M12 Lenses.
- **Liquid Lens M12 Lenses:** Integrated liquid lens for fast electronic focus.

Technical Information

| Focal Length | A | B | C* | D |
|--------------|--------|--------|----------------|--------|
| 2.0mm | 18.0mm | 21.7mm | 2.26mm | 4.75mm |
| 3.0mm | 14.0mm | 17.1mm | 4.8 - 4.7mm | 5.8mm |
| 4.0mm | 14.0mm | 19.7mm | 6.1 - 6.0mm | 4.4mm |
| 5.0mm | 14.0mm | 14.6mm | 4.0 - 3.9mm | 3.7mm |
| 6.0mm | 14.0mm | 14.1mm | 6.9 - 6.8mm | 4.5mm |
| 8.0mm | 14.0mm | 12.3mm | 8.8 - 8.6mm | 3.7mm |
| 10.0mm | 14.0mm | 17.0mm | 6.6 - 6.3mm | 3.7mm |
| 12.5mm | 15.0mm | 22.9mm | 10.1 - 9.7mm | 4.8mm |
| 17.5mm | 14.0mm | 20.7mm | 5.8 - 4.9mm | 7.6mm |
| 25.0mm | 18.0mm | 30.0mm | 8.5 - 6.5mm | 11.5mm |
| 35.0mm | 18.0mm | 29.5mm | 18.72 - 14.0mm | 14.5mm |



*Specified for Optimized Working Distance of 150 - 250mm.

