

**TECHSPEC® 10mm NIR, Lateral Displacement Non-Polarized Beamsplitter**



Lateral Displacement Beamsplitters

Stock **#47-540** **8 In Stock**

⊖ 1 ⊕ €670<sup>00</sup>

**ADD TO CART**

Volume Pricing	
Qty 1-5	€670,00 each
Qty 6-25	€535,00 each
Qty 26-99	€489,00 each
Need More?	<a href="#">Request Quote</a>

ⓘ Prices shown are exclusive of VAT/local taxes

Product Downloads

**General**

Non-Polarizing Beamsplitter **Type:**  
Non-Polarizing **Type of Optics:**

**Physical & Mechanical Properties**

Clear Aperture (%):

80.00

Construction:

Prism

Dimensional Tolerance (mm):

±0.1

Parallelism (arcmin):

<2

Optical Properties

Angle Tolerance (arcsec):

±5

Beam Separation (mm):

10.00

Coating Specification:

R<sub>avg</sub> <0.5% @ 720 - 1080nm

Extinction Ratio:

|T<sub>p</sub> - T<sub>s</sub>| <6%

P-Polarization Transmission (%):

45.00

S-Polarization Reflection (%):

45.00

Substrate:

N-BK7

Surface Flatness (P-V):

λ/8

Surface Quality:

40-20

Wavelength Range (nm):

720 - 1080

Regulatory Compliance

Certificate of Conformance:

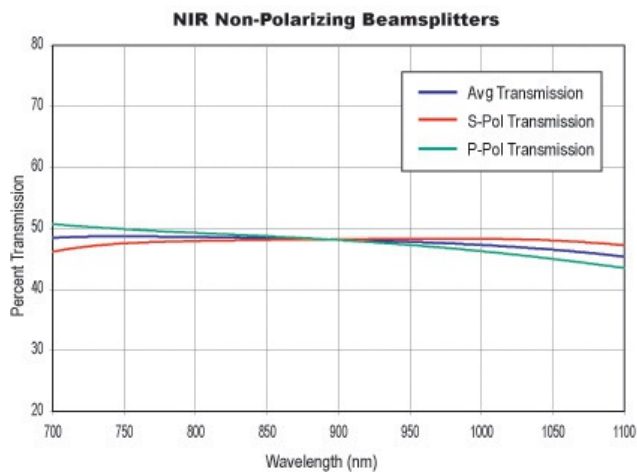
[View](#)

## Product Details

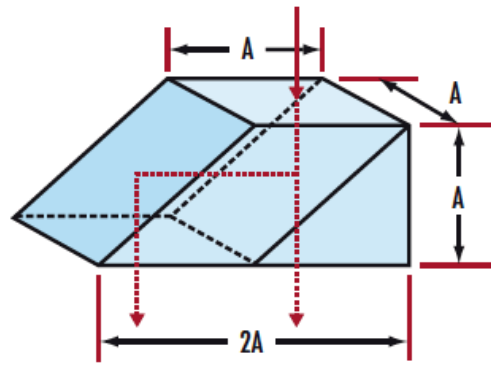
- Visible and NIR Coating Options Offered
- Simplifies Benchtop Layout
- Split Incident Beam into Two Displaced Parallel Beams

TECHSPEC® Lateral Displacement Beamsplitters output two parallel beams separated by a fixed distance. The beamsplitters consist of a precision [rhomboid prism](#) cemented to a [λ/8 right angle prism](#). The high tolerance design ensures the exiting beams are parallel to within 2 arcmin. TECHSPEC® Lateral Displacement Beamsplitters' entrance and exit faces feature a multi-layer anti-reflection (AR) coating for increased efficiency. Polarizing and non-polarizing coatings are available for these beamsplitters.

## Technical Information



Size (A)	10mm	20mm
Beam Separation	10mm	20mm



;