

10X DIN Achromatic Commercial Grade Objective



Stock #43-903 **20+ In Stock**

- 1 + €125^{.00}

ADD TO CART

Volume Pricing

Qty 1+	€125,00 each
Need More?	Request Quote

Prices shown are exclusive of VAT/local taxes

Product Downloads

General

Achromatic **Type:**
Finite Conjugate **Style:**

Physical & Mechanical Properties

40.00 **Length excluding Threads (mm):**

24 **Maximum Diameter (mm):**

Optical Properties

Effective Focal Length EFL (mm):

17.13

Magnification:

10X

Numerical Aperture NA:

0.25

Working Distance (mm):

6.14

Parfocal Length (mm):

46.14

Immersion Liquid:

N/A

Threading & Mounting

Mounting Threads:

0.7965-36 TPI, 55° Whitworth

Environmental & Durability Factors

Operating Temperature (°C):

5 to 40

Storage Temperature (°C):

-20 to 60

Operating Relative Humidity:

45% to 85%

Regulatory Compliance

RoHS 2015:

Compliant

Certificate of Conformance:

[View](#)

Product Details

- Achromatic and Plan Designs
- Use with T- and C-Mounting Systems
- Ideal for OEM Applications

Commercial Grade Standard Microscope Objectives are designed for a wide variety of applications. These objectives are provided in both achromatic and plan designs. Using DIN standard, 0.7965" (20.1mm) dia. threads, 36 TPI, 55° Whitworth, these objectives will fit into most microscope and spatial filter assemblies. Commercial Grade Standard Microscope Objectives, used in conjunction with our [T- and C-mounting systems](#), are an ideal solution for OEM production use. These objectives are offered in 4X, 10X, 40X, and 100X magnifications.

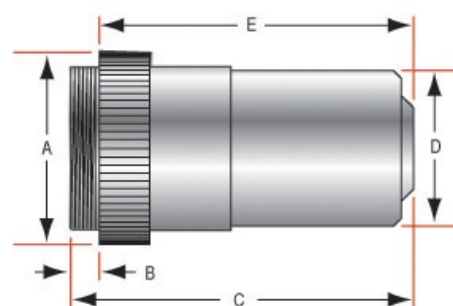
Note: 40X and 100X versions are spring loaded. 100X version is also oil immersion type.

Technical Information

Stock No.	A	B	C	D	E
#43-902	24	3.7	31	19	26
#43-903	24	3.7	43	19	40
#43-904	24	3.7	48.8	20	45.8
#43-905	24	3.7	48.8	20	45.8

#67-706	24	3.7	34	22	30
#43-907	24	3.7	47.6	22	44
#43-908	24	3.7	49	22	46
#43-909	24	3.7	48	22	46

Commercial Grade Standard Microscope Objectives



Units: mm

