

10X DIN Eyepiece



10XDIN Eyepiece, #35-689

Stock **#35-689** **1 In Stock**

€134⁰⁰

ADD TO CART

Volume Pricing	
Qty 1-4	€134,00 each
Qty 5+	€128,00 each
Need More?	Request Quote

ⓘ Prices shown are exclusive of VAT/local taxes

Product Downloads

General

DIN Type:

Physical & Mechanical Properties

19.85 Eye Relief (mm):

Optical Properties

25.00 **Effective Focal Length EFL (mm):**

18 **Field Stop Diameter (mm):**

10X **Magnification:**

Regulatory Compliance

[View](#) **Certificate of Conformance:**

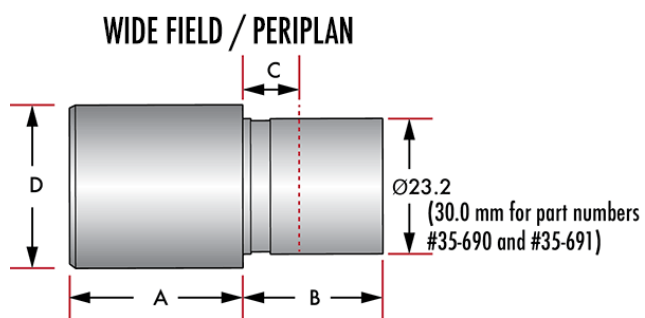
Product Details

- Widefield and DIN-45mm Versions Available
- Widefield Versions Offer Adjustable Diopter
- Three Standard Magnifications

Microscope Eyepieces attach to a variety of microscope systems featuring designs that consist of an achromatic doublet with a single plano-convex lens, where both convex surfaces face each other. These eyepieces are ideal for use with standard achromatic objectives and upright, brightfield microscope systems. Microscope Eyepieces are available as standard parts with different magnifications, focal lengths, and field stops. Additional magnification options available upon request - [contact us](#) today to discuss your specific requirements.

Note: Eyepieces are sold individually, not as a set.

Technical Information



Stock No.	A	B	C	D
#35-689	30.1	24.5	10	28
#35-690	33.7	26.3	10	42
#35-691	19.6	26.3	10	40
#35-692	19.5	24.5	10	28