

**TECHSPEC® 12-12.7mm Diameter, S-Mount Thick Optic Mount**



Stock #63-952 **20+ In Stock**

- 1 + €67.<sup>00</sup>

**ADD TO CART**

Volume Pricing	
Qty 1-4	€67,50 each
Qty 5-9	€60,00 each
Qty 10-25	€55,60 each
Need More?	<a href="#">Request Quote</a>

Prices shown are exclusive of VAT/local taxes

Product Downloads

**General**

Fixed **Type:**

Optic Mount (Fixed) **Function:**

**Type of Optics:**

Circular

## Physical & Mechanical Properties

20.5      **Extension Length (mm):**

23.5      **Total Length (mm):**

2.0      **Min. Thickness of Compatible Optics (mm):**

6.5      **Max. Thickness of Compatible Optics (mm):**

11.2      **Clear Aperture CA (mm):**

16.00      **Outer Diameter (mm):**

## Threading & Mounting

S-Mount      **Thread Type:**

12.5 - 12.7      **Diameter of Compatible Optics (mm):**

## Regulatory Compliance

**Compliant**      **RoHS 2015:**

**View**      **Certificate of Conformance:**

**Compliant**      **REACH 241:**

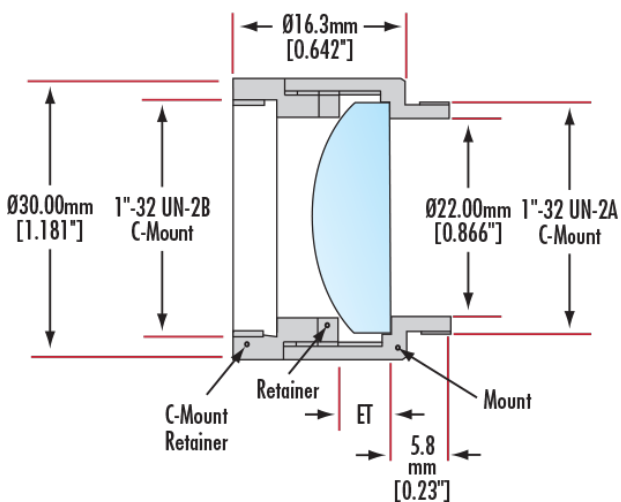
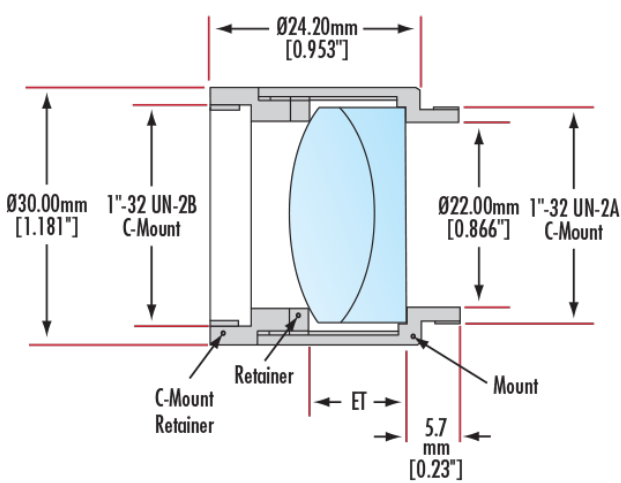
## Product Details

- Mounts for Simple Lenses, Achromats, Filters, or Reticles
- Designed to Integrate with Any C, S, or T-Mount Components
- Optic is Held in Place with Included Retaining Ring

TECHSPEC® C, S, and T-Mount Circular Optic Mounts are designed to mount a variety of circular optical components into C, S, or T-Mount compatible systems. An included threaded retainer ring, designed to accept a standard spanner wrench, securely holds the optical component. These circular optic mounts are compatible with a wide variety of Edmund Optics optomechanical components utilizing C, S, or T-Mount threads, such as [extension tubes](#) and [kinematic mounts](#). TECHSPEC® C, S, and T-Mount Circular Optic Mounts are threaded for 1" x 32TPI, M12 x 0.5, or M42 x 0.75 mounting, with 30mm, 16mm, and 48mm outer diameters, respectively. These mounts are ideal for creating and personalization of a diverse range of optical systems.

**Note:** #56-353, #56-354, #52-933, and #52-292 are all 3-part assemblies

## Technical Information





### S-Thread Simple / Thin Lens Mount



### S-Thread Simple /Thin Lens Mount



### S-Thread Achromat / Thick Lens Mount





#58-741

