

## 12.0mm Optic Dia., Optic Mount



Optic Component Mounts

Stock #64-555 **11 In Stock**

⊖ 1 ⊕ €32<sup>75</sup>

**ADD TO CART**

Volume Pricing	
Qty 1-9	€32,75 each
Qty 10+	€29,60 each
Need More?	<a href="#">Request Quote</a>

ⓘ Prices shown are exclusive of VAT/local taxes

### Product Downloads

### General

Fixed **Type:**  
Circular **Type of Optics:**

### Physical & Mechanical Properties

9.0 **Clear Aperture CA (mm):**

35.0	<b>Outer Diameter (mm):</b>
16.00	<b>Thickness (mm):</b>
Black Anodized Aluminum	<b>Construction:</b>
10.00	<b>Max. Thickness of Compatible Optics (mm):</b>

### Threading & Mounting

12.0	<b>Size of Compatible Optics (mm):</b>
M6 x 1.0, 1/4-20	<b>Compatible Post:</b>

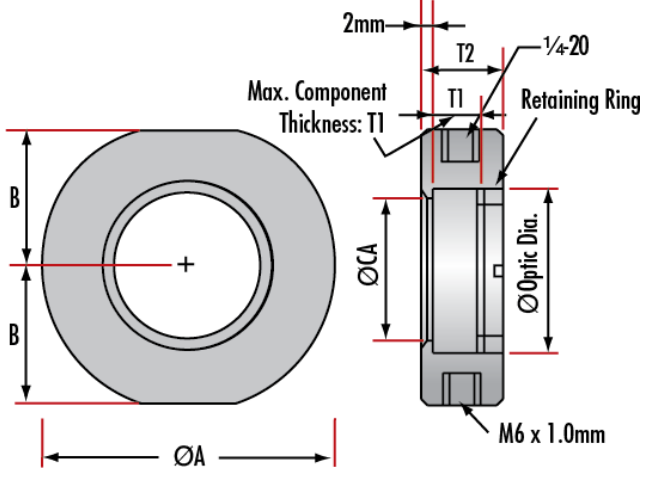
### Regulatory Compliance

<a href="#">Compliant</a>	<b>RoHS 2015:</b>
<a href="#">View</a>	<b>Certificate of Conformance:</b>
<a href="#">Compliant</a>	<b>Reach 247:</b>

### Product Details

- Simple Mounting Arrangement
  - Metric and English Configurations
  - Black Anodized Aluminum Construction
  - [Posts](#) and [Post Holders](#) Required for Mounting
- Optic Component Mounts are designed to hold lenses, filters, mirrors, and other optical components. The included retainer ring securely holds the component in place. Optic Component Mounts need the required [posts](#) and [post holders](#) for mounting to a breadboard. Both English (1/4-20) and Metric (M6) standard posts are accepted by the mounts. These mounts are constructed of black anodized aluminum in a simple mounting arrangement.

### Technical Information



Maximum Optic Diameter	Clear Aperture (CA)	Mount Diameter A	B	Maximum Optic Thickness T1	Mount Thickness T2	Stock No.
5	4	30	13.5	5.7	12	<a href="#">#64-551</a>
6	5	30	13.5	5.7	12	<a href="#">#64-552</a>
9	6	30	13.5	6	12	<a href="#">#64-553</a>
10	7	30	13.5	6	12	<a href="#">#64-554</a>
12	9	35	16.0	10	16	<a href="#">#64-555</a>
12.7	9.5	35	16.0	10	16	<a href="#">#64-556</a>
15	12	35	16.0	10	16	<a href="#">#64-557</a>
18	15	40	19.0	12	18	<a href="#">#64-558</a>
20	17	40	19.0	12	18	<a href="#">#64-559</a>
25	22	45	21.5	10	16	<a href="#">#64-560</a>
25.4	22	45	21.5	10	16	<a href="#">#64-561</a>
25.4	22	45	21.5	13	19	<a href="#">#65-562</a>
30	26	50	24.0	6	12	<a href="#">#64-563</a>
30	26	50	24.0	12	18	<a href="#">#64-564</a>
38.1	34	60	29.0	12	18	<a href="#">#64-565</a>
40	36	60	29.0	12	18	<a href="#">#64-566</a>
50	46	70	34.0	12	18	<a href="#">#64-567</a>
50	46	70	34.0	18	24	<a href="#">#64-568</a>
50.8	46	70	34.0	12	28	<a href="#">#64-569</a>

