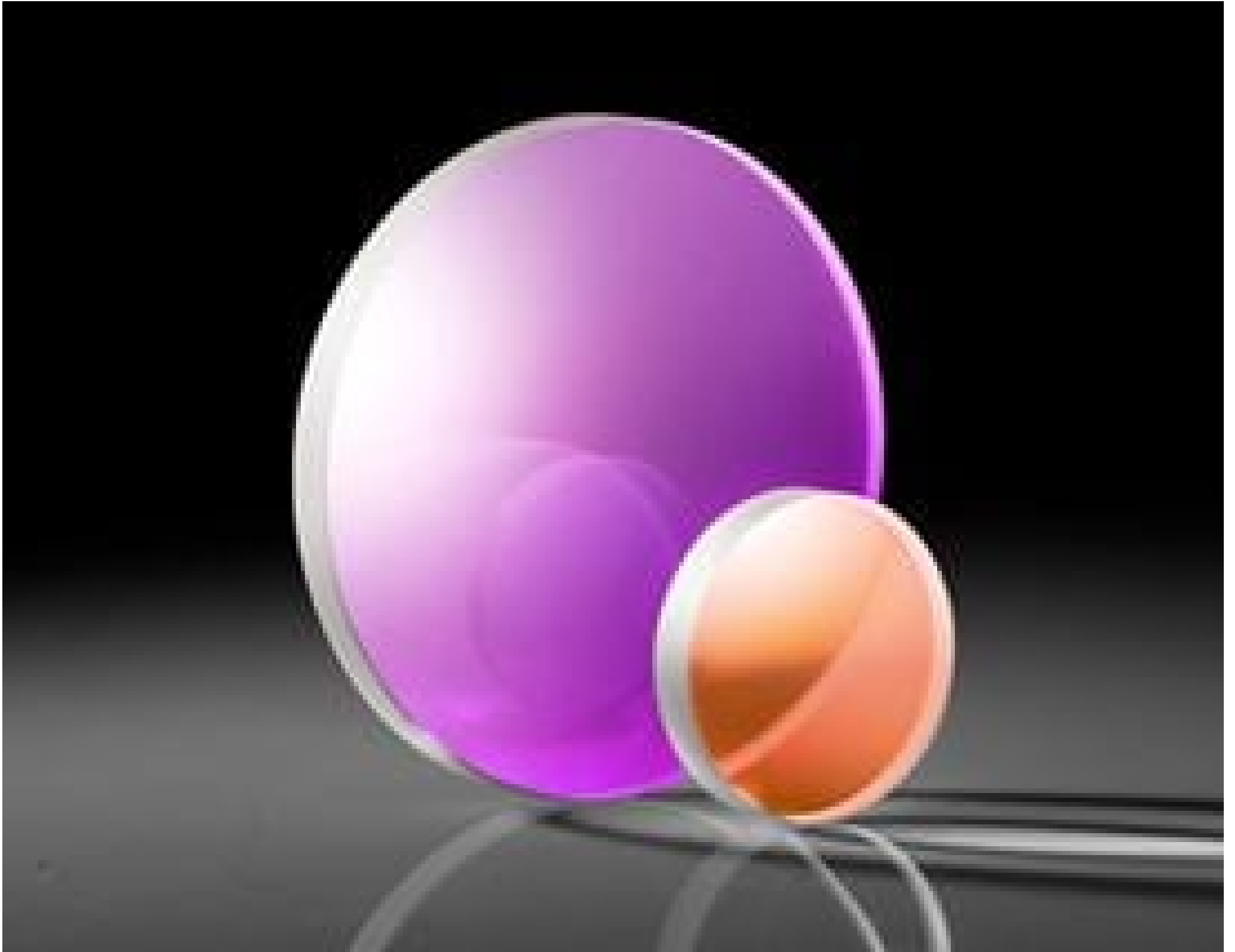


[See all 195 Products in Family](#)

**TECHSPEC® 12.7mm Dia. x 35mm FL, 532nm Coated, Laser Grade PCX Lens**



TECHSPEC Laser Grade PCXLenses

Stock **#38-708** **13 In Stock**

[Other Coating Options](#)

⊖ 1 ⊕ €208<sup>00</sup>

**ADD TO CART**

Volume Pricing	
Qty 1-5	€208,00 each
Qty 6-25	€166,00 each
Qty 26-49	€153,00 each
Need More?	<a href="#">Request Quote</a>

**!** Prices shown are exclusive of VAT/local taxes

Product Downloads

**General**

Plano-Convex Lens **Type:**

**Physical & Mechanical Properties**

12.70 +0.00/-0.025 **Diameter (mm):**

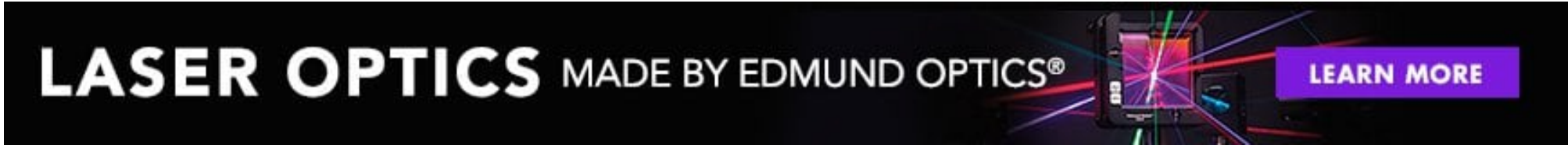
<1	Centering (arcmin):
4.00 ±0.10	Center Thickness CT (mm):
2.74	Edge Thickness ET (mm):
11.43	Clear Aperture CA (mm):
Protective as needed	Bevel:
<b>Optical Properties</b>	
35.00 @ 355nm	Effective Focal Length EFL (mm):
32.30	Back Focal Length BFL (mm):
Laser V-Coat (532nm)	Coating:
R <sub>abs</sub> <0.25% @ 532nm	Coating Specification:
Fused Silica (Corning 7980)	Substrate: <input type="checkbox"/>
10-5	Surface Quality:
λ	Power (P-V) @ 632.8nm:
λ/10	Irregularity (P-V) @ 632.8nm:
±1	Focal Length Tolerance (%):
16.66	Radius R <sub>1</sub> (mm):
2.76	f#:
0.18	Numerical Aperture NA:
532	Design Wavelength DWL (nm):
10 J/cm <sup>2</sup> @ 532nm, 20ns, 20Hz	Damage Threshold, By Design: <input type="checkbox"/>

<b>Regulatory Compliance</b>	
<a href="#">View</a>	Certificate of Conformance:

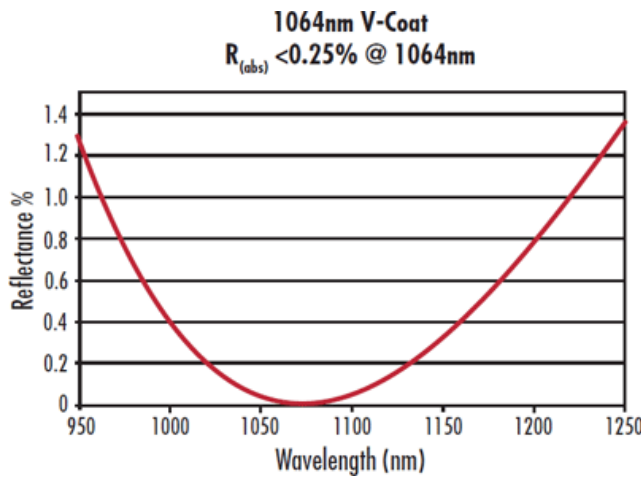
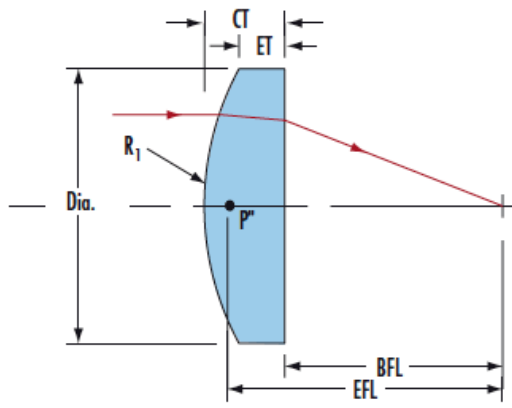
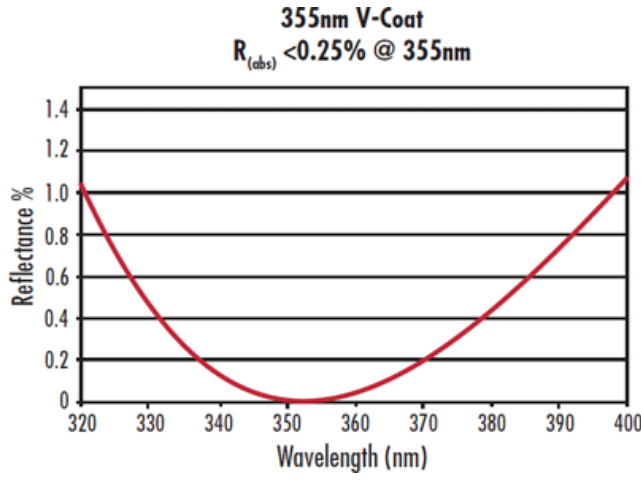
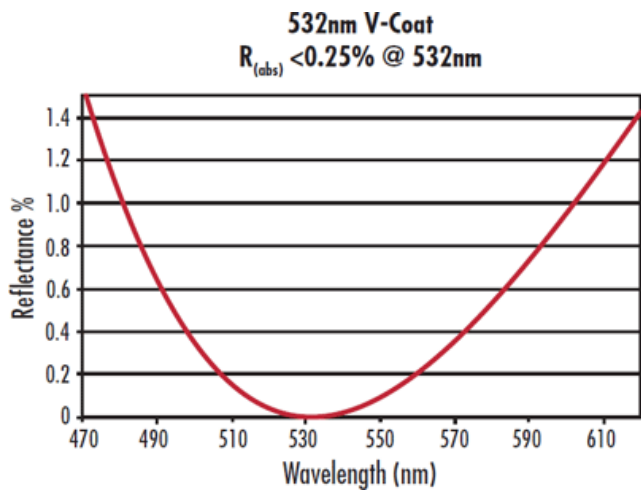
### Product Details

- Guaranteed Laser Damage Threshold
- 10-5 Surface Quality
- λ/10 Surface Accuracy

TECHSPEC® Laser Grade PCX Lenses are designed for high energy Nd:YAG laser applications including laser cutting, machining, and welding. The precision fused silica substrate, featuring λ/10 surface accuracy and 10-5 surface quality, ensures low scatter and excellent transmitted wavefront performance. TECHSPEC® Laser Grade PCX Lenses are available uncoated or with a variety of high laser damage threshold anti-reflection (AR) coating options. Coatings are available at the most common Nd:YAG laser wavelengths to ensure maximum laser throughput.



### Technical Information



## Custom

Edmund Optics offers comprehensive custom manufacturing services for optical and imaging components tailored to your specific application requirements. Whether in the prototyping phase or preparing for full-scale production, we provide flexible solutions to meet your needs. Our experienced engineers are here to assist—from concept to completion.

Our capabilities include:

- Custom dimensions, materials, coatings, and more
- High-precision surface quality and flatness
- Tight tolerances and complex geometries
- Scalable production—from prototype to volume

Learn more about our [custom manufacturing capabilities](#) or submit an inquiry [here](#).

## Compatible Mounts