

**TECHSPEC® 12mm, f/16 UCi Series Fixed Focal Length Lens**



12mm UCi Series Fixed Focal Length Lens



Stock #33-882 **7 In Stock**

⊖ 1 ⊕ €235<sup>00</sup>

**ADD TO CART**

Volume Pricing	
Qty 1+	€235,00 each
Need More?	<a href="#">Request Quote</a>

ⓘ Prices shown are exclusive of VAT/local taxes

Product Downloads

**General**

UCi Series **Product Family:**

Fixed Focal Length Lens **Type:**

No **IR Cut Filter:**

## Physical & Mechanical Properties

Fixed Iris Option:

38.00 Length (mm):

22 Maximum Diameter (mm):

22 Outer Diameter (mm):

18 Weight (g):

0 Maximum Rear Protrusion (mm):

## Optical Properties

Horizontal Field of View @ Max Sensor Format:  
69.2mm - 34.0°

Field of View at Max Sensor Format:  
Horizontal: 69.2mm - 34°  
Vertical: 51.4mm - 25.6°  
Diagonal: 87.6mm - 42.2°

Horizontal Field of View, 1/1.8" Sensor:  
69.2mm - 34.0°

Horizontal Field of View, 1/2" Sensor:  
61.2mm - 30.3°

Horizontal Field of View, 1/2.5" Sensor:  
55.3mm - 27.5°

Horizontal Field of View, 1/3" Sensor:  
45.5mm - 22.8°

Horizontal Field of View, 1/4" Sensor:  
34.0mm - 17.1°

9.00 Maximum Image Circle (mm):

0.0032 Numerical Aperture NA, Object Side:

7 (6) Number of Elements (Groups):

12.00 Focal Length FL (mm):

100 - ∞ Working Distance (mm):

f/16.0 Aperture (f#):

N4 MgF<sub>2</sub> Coating:

N4 MgF<sub>2</sub> Coating Specification:

15.92 Entrance Pupil Position (mm):

23.03 Object Space Principal Plane (mm):

-1.82 Image Space Principal Plane (mm):

-3.03 Maximum Distortion (%):

-19.24 Exit Pupil Position (mm):

VS Lens Wavelength Range:

## Sensor

1/2.5" Optimized Sensor Format:

1/1.8" Maximum Sensor Format:

1.85 Pixel Size (μm):

## Threading & Mounting

M22 x 0.75 (Male) Filter Thread:

S-Mount (M12 x 0.5) Mount:

## Environmental & Durability Factors

Storage Temperature (°C):

-20 to +60

Type of Ruggedization:

Industrial (Fixed Aperture with Simplified Mechanics)

## Regulatory Compliance

Certificate of Conformance:

[View](#)

## Product Details

- Up to 1/1.8", C-Mount, S-Mount Lens
- Up to 12 MegaPixels, 1.85µm Pixel Size Sensors
- Instrumentation (UCi) versions of our UC Series Lenses with Streamlined Mechanical Designs and Fixed Apertures
- 4mm to 35mm Focal Length

TECHSPEC® UCi Series Fixed Focal Length Lenses utilize the same optics as the TECHSPEC UC Series Lenses and feature 4K resolution. These lenses are designed for small pixels  $\leq 2.2\mu\text{m}$  and offer a wide range of fixed apertures for a variety of applications. While optimized for 1/2.5" sensors, many focal length options can be used on sensors up to 1/1.8". TECHSPEC® UCi Series Fixed Focal Length Lenses are ideal for OEM applications that require small, robust, and lightweight imaging solutions.

**Note:** For adjustable aperture options, see our [TECHSPEC® UC Series Fixed Focal Length Lenses](#).

Edmund Optics has created a family of high-performance ultra-compact optical designs (the UC Series family) and developed 3 customized optomechanical solutions targeted for specific applications. These lens sub-families utilize the same optics as the UC Series lenses providing the same optical performance in a variety of optomechanical solutions to meet your application requirements:

**UC Series:** Features locking cam focus and iris adjustment in an ultra-compact design and is the most adjustable version of these optical designs; they are the typical high-quality machine vision lenses.

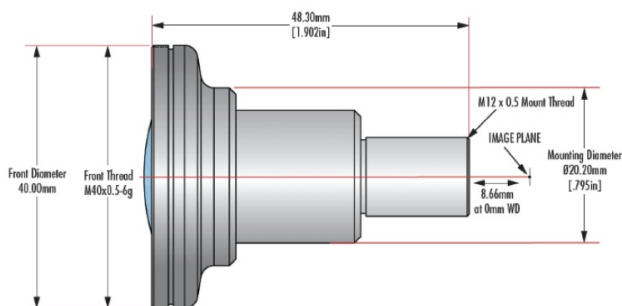
**UCi Series:** Simplified mechanics featuring fixed apertures with compact housing. [Industrial Ruggedization](#) for reduced size, cost, and locked focus.

**UCr Series:** All optics glued in place and a locking C-clamp focus ring. [Stabilized Ruggedization](#) for reduced pixel shift and improved focus stability.

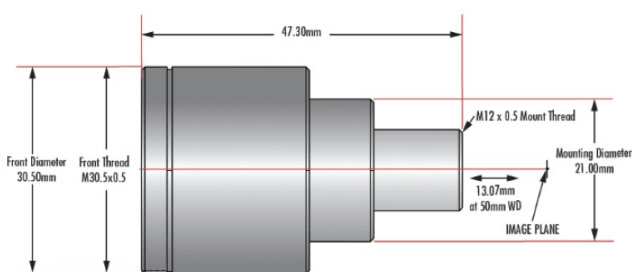
**UCw Series:** Waterproof, designed to meet IEC [Ingress Protection](#) Code IPX7 to withstand exposure to water up to 1 meter depth for 30 minutes.

## Technical Information

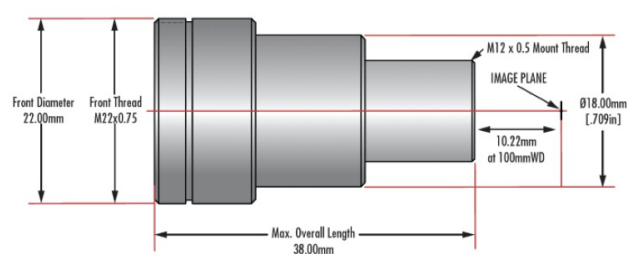
4mm Focal Length



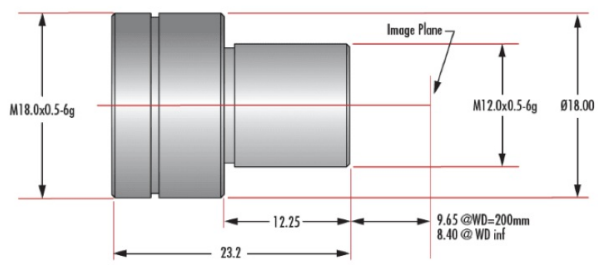
6mm Focal Length



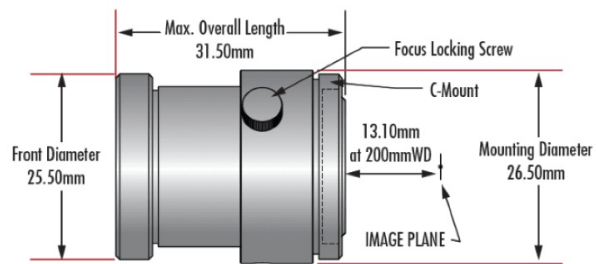
12mm Focal Length



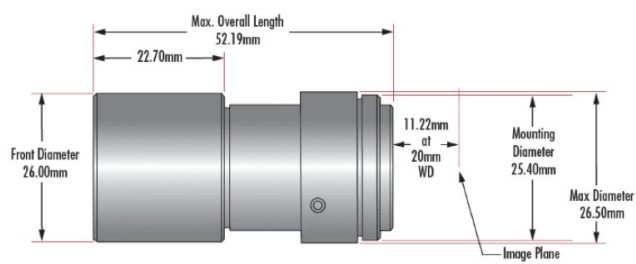
### 16mm Focal Length



### 25mm Focal Length



### 35mm Focal Length



## Compatible Cameras