

[See all 10 Products in Family](#)

1X ZEISS Tube Lens

See More by [ZEISS](#)



1XZEISS Tube Lens, #13-828

Stock **#13-828** **2 In Stock**

1 €225^{,00}

ADD TO CART

Volume Pricing	
Qty 1+	€225,00 each
Need More?	Request Quote

! Prices shown are exclusive of VAT/local taxes

Product Downloads

General

425308-0000-000 **Model Number:**

Tube Lens **Type:**

Zeiss **Manufacturer:**

Note:
Required when using a ZEISS objective with a non-ZEISS microscope

Physical & Mechanical Properties

40.00 Diameter (mm):

12.80 Length (mm):

Optical Properties

164.50 Focal Length FL (mm):

1X Magnification:

380 - 700 Wavelength Range (nm):

25 Field Number (mm):

31.6 Entrance Pupil Diameter (mm):

Threading & Mounting

M36 x 0.75 Mounting Threads:

Regulatory Compliance

[View](#) Certificate of Conformance:

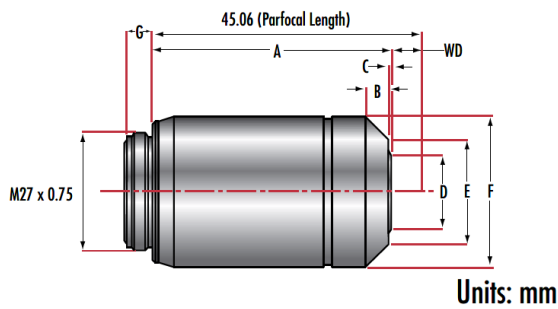
Product Details

- Ideal for Brightfield and Fluorescence Applications
- Excellent Color Correction and Flatness of Field
- Oil Immersion Options Available

ZEISS A-Plan Infinity Corrected Objectives are designed for a variety of routine life science applications. These objectives exhibit excellent color correction and flatness of field that satisfy ISO 19012-1:2013 standards. They are ideal for brightfield inspection of fixed and stained tissues or cells in fluorescence applications. The large field number of 23mm facilitates fast screening of samples. ZEISS A-Plan Infinity Corrected Objectives are corrected for standard cover slips with 0.17mm thickness.

Note: Tube Lens [#13-828](#) is required when using ZEISS A-Plan Infinity Corrected Objectives with non-ZEISS Infinity Color Corrected (ICS) microscope systems.

Technical Information



Stock No.	A-Plan	A	B	C	D	E	F	G	W.D.	PFL	Mounting Threads
#13-814	2.5X	34.5	6.25	2.75	17.0	22.5	30.0	3.9	10.40	45.06	M27x0.75
#13-815	5X	34.8	7.25	2.75	17.0	22.5	30.0	3.9	10.10	45.06	M27x0.75
#13-816	10X	40.4	4.75	5.25	12.0	22.5	30.0	3.9	4.50	45.06	M27x0.75
#13-817	20X	44.4	7.90	6.30	6.4	22.0	30.0	4.0	0.46	45.06	M27x0.75
#13-818	40X	44.4	8.00	3.30	7.0	21.0	30.0	4.0	0.45	45.06	M27x0.75
#13-819	63X	44.6	8.00	6.60	7.0	22.0	30.0	4.0	0.30	45.06	M27x0.75
#13-820	100X	43.9	10.70	3.20	7.1	19.0	30.0	3.9	0.97	45.06	M27x0.75
#13-821	100X OIL	44.7	9.00	5.70	7.0	19.0	30.0	4.0	0.22	45.06	M27x0.75