

205 x 205mm Travel, Motorized XY Microscope Stage, Integrated Controller

See More by [Zaber™](#)



XY Microscope Translation Stage



Stock #22-629 **1 In Stock**

⊖ 1 ⊕ €9.250⁰⁰

ADD TO CART

Volume Pricing

Qty 1+	€9.250,00 each
Need More?	Request Quote

ⓘ Prices shown are exclusive of VAT/local taxes

Product Downloads

General

Metric **Type:**

Zaber Technologies Inc. **Manufacturer:**

Stepper (2 Phase) **Type of Motor:**

Physical & Mechanical Properties

Linear (X-Y) **Type of Movement:**

Crossed Roller Bearing **Guide System:**

349.0 x 400.9 **Stage Size (mm):**

205 in X 205 in Y **Travel (mm):**

50 (Unidirectional) **Accuracy (μm):**

<10 **Backlash (μm):**

38.8 **Height (mm):**

9.68, Centered Load **Load Capacity (kg):**

<2 **Repeatability (μm):**

0.000095 to 85 **Speed (mm/s):**

95 **Thrust (N):**

6.9 **Weight (kg):**

Optical Properties

0.15625 **Resolution (μm):**

Electrical

2600 **Maximum Operating Current (mA):**

Hardware & Interface Connectivity

Precision Lead Screw **Type of Drive:**

Power Supply:
Power Supply Required and Sold Separately.
USA: [#15-294](#)
Europe: [#15-294](#)
Japan: [#23-662](#)
Korea: [#33-773](#)
China: [#15-294](#)

RS-232, USB 2.0 **Computer Interface:**

Environmental & Durability Factors

0 to 50 **Operating Temperature ($^{\circ}\text{C}$):**

Regulatory Compliance

[Compliant](#) **RoHS 2015:**

[View](#) **Certificate of Conformance:**

[Compliant](#) **Reach 247:**

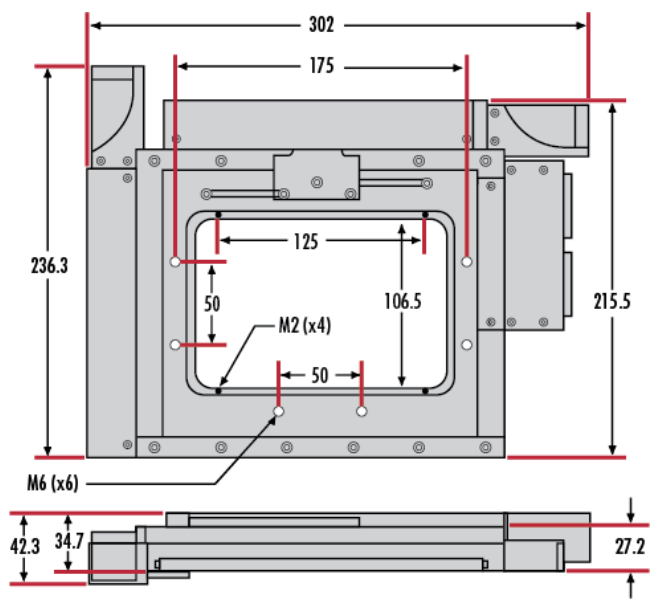
Product Details

- 100 x 120mm or 205 x 205mm Travel
- 100N Centered Load Capacity, 12 μm Full Travel Accuracy, 2 μm Repeatability, and Up to 85mm/s Speed
- Supported by [\$\mu\$ Manager](#) Open-Source Microscopy Software
- Available with Integrated, 200 Counts per Revolution (CPR) Motor Mounted Encoder

Zaber™ Motorized XY Microscope Stages are an ideal replacement for manual stages used on upright and inverted microscope systems or for stand-alone operation as scanning stages. These microscope stages incorporate crossed roller bearings on hardened stainless steel to increase translation smoothness and durability. Encoder versions are available for all travel lengths, with 200 Counts per Revolution (CPR) rotary quadrature encoders integrated into the stepper motor. Zaber™ Motorized XY Microscope Stage features a compact design, precision accuracy and repeatability, and quick translation speed across 100 x 120mm or 205 x 205mm of travel. The included adjustable universal slide insert allows quick changes of slides up to 70mm diameter. This stage is fully supported by [\$\mu\$ Manager](#), an open-source software package for controlling automated microscopes and imaging systems.

Note: A24-48 VDC universal power supply, data cables for daisy chaining, and computer interface cables (USB or RS-232) are sold separately as accessories. These stages utilize the same accessories as the Zaber™ High Precision Motorized Stage System.

Technical Information



;