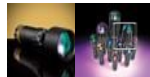


[See all 16 Products in Family](#)

TECHSPEC® 2.0X In-Line Illumination SilverTL™ Telecentric Lens



2.0X In-Line Illumination SilverTL™ Telecentric Lens, #88-348



Stock #88-348 **17 In Stock**

- 1 + €2.145⁰⁰

ADD TO CART

Volume Pricing

Qty 1+	€2.145,00 each
Need More?	Request Quote

ⓘ Prices shown are exclusive of VAT/local taxes

Product Downloads

General

SilverTL™ Series **Product Family:**

Stock No. of Mounting Clamp:
#56-870 Sold Separately

Telecentric Lens **Type:**

In-Line Illumination **Type of Illumination:**

Physical & Mechanical Properties

Variable **Iris Option:**

144.60 **Length (mm):**

144.60 **Length excluding Threads (mm):**

45.00 **Maximum Diameter (mm):**

314 **Weight (g):**

Anodized Aluminum **Construction:**

Optical Properties

4.4mm **Horizontal Field of View, 2/3" Sensor:**

3.2mm **Horizontal Field of View, 1/2" Sensor:**

2.4mm **Horizontal Field of View, 1/3" Sensor:**

11.00 **Maximum Image Circle (mm):**

0.164 **Numerical Aperture NA, Object Side:**

±3 **Working Distance Tolerance (mm):**

>40% @ 40 lp/mm **Resolution, Image Space MTF @ f/10:**

8 (7) **Number of Elements (Groups):**

<0.075 **Typical Telecentricity @ 588nm (°):**

<0.040 **Typical Distortion @ 588nm (%):**

2X **Primary Magnification PMAG:**

2.00 **Telecentric Lens Magnification:**

75.00 **Working Distance (mm):**

4.4 x 3.3 **FOV @ Max Sensor Format, H x V (mm):**

f/10 - f/22 **Aperture (f/#):**

425 - 675nm BBAR **Coating:**

±0.13 at f/10 (20% @ 20 lp/mm) **Depth of Field (mm):**

2X **Magnification:**

VS **Lens Wavelength Range:**

Sensor

2/3" **Maximum Sensor Format:**

2.74 **Pixel Size (µm):**

Threading & Mounting

M43 x 0.75 (Female) **Filter Thread:**

C-Mount **Mount:**

Regulatory Compliance

[Compliant](#) **RoHS 2015:**

Reach 224:

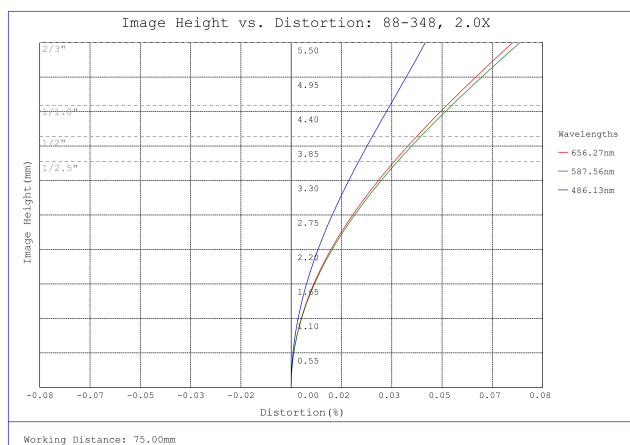
Product Details

- High Resolution f/6 Bi-Telecentric Lens with Inline Illumination Options
- Up to 7.5 MegaPixels, 2.8 μ m Pixel Size Sensors
- Up to 2/3", C-Mount Telecentric Lens
- Magnification from 0.16X to 4X

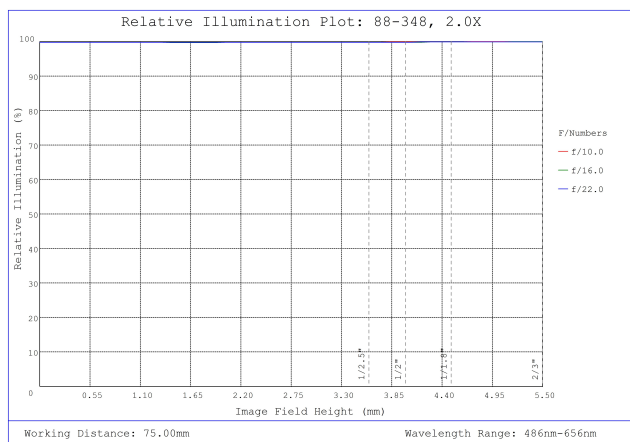
TECHSPEC® SilverTL™ Telecentric Lenses are ideal for both on-line and off-line machine vision production applications that require accurate measurements. These lenses combine high-quality optics with a simplified non-focusing mechanical design and an adjustable iris with a locking set screw. These lenses are designed for metrology and gauging applications. TECHSPEC® SilverTL™ Telecentric Lenses also offer inline illumination options for maximum versatility. Each lens also features a standard front filter thread for use with [color filters](#), [polarizers](#), [protective windows](#), and [illumination adapters](#) for LED or fiber-optic ring lights.

Note: Mounting brackets are available that fit the 30mm diameter mounting surface.

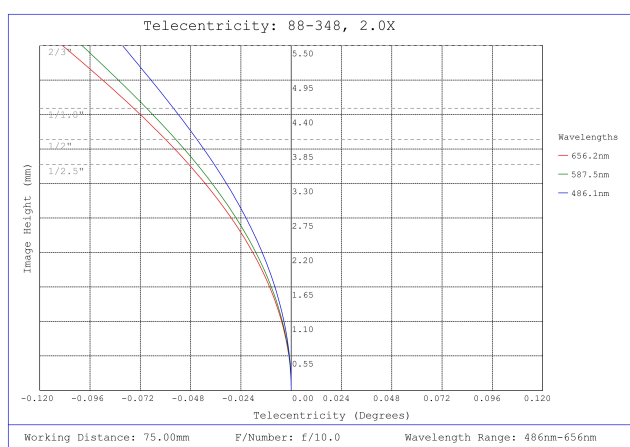
Technical Information



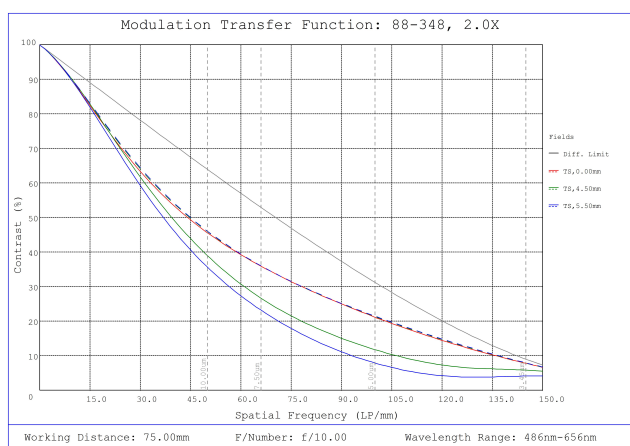
#88-348, 2.0X In-Line Illumination SilverTL™ Telecentric Lens, Distortion Plot



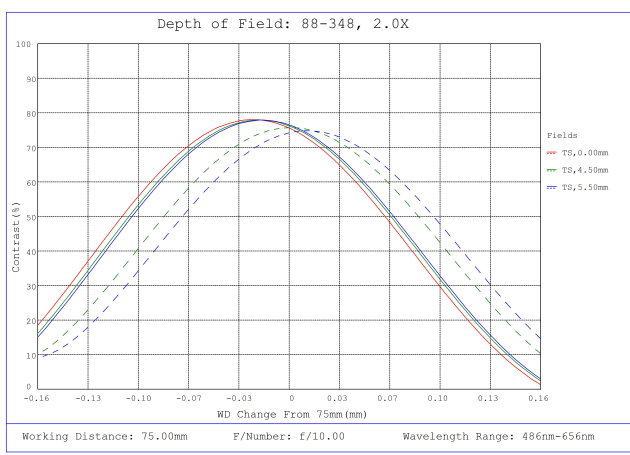
#88-348, 2.0X In-Line Illumination SilverTL™ Telecentric Lens, Relative Illumination Plot



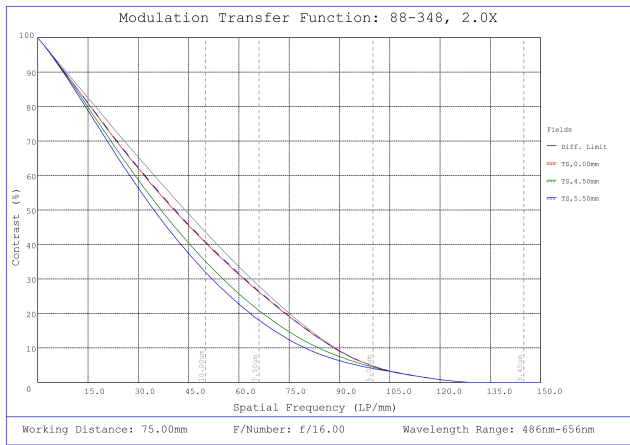
#88-348, 2.0X In-Line Illumination SilverTL™ Telecentric Lens, Telecentricity Plot



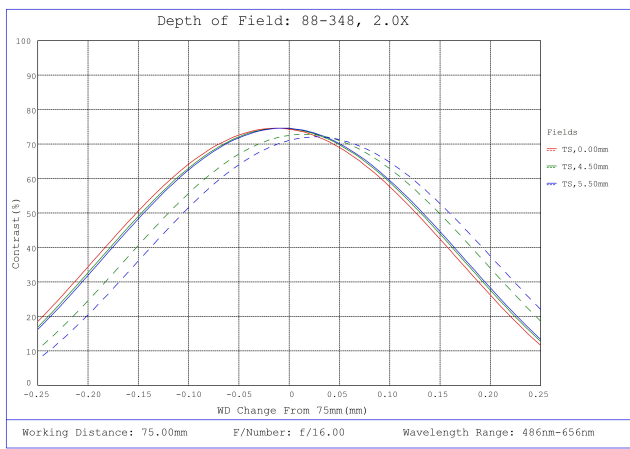
#88-348, 2.0X In-Line Illumination SilverTL™ Telecentric Lens, Modulated Transfer Function (MTF) Plot, 75mm Working Distance, f10



#88-348, 2.0X In-Line Illumination SilverTL™ Telecentric Lens, Depth of Field Plot, 75mm Working Distance, f10

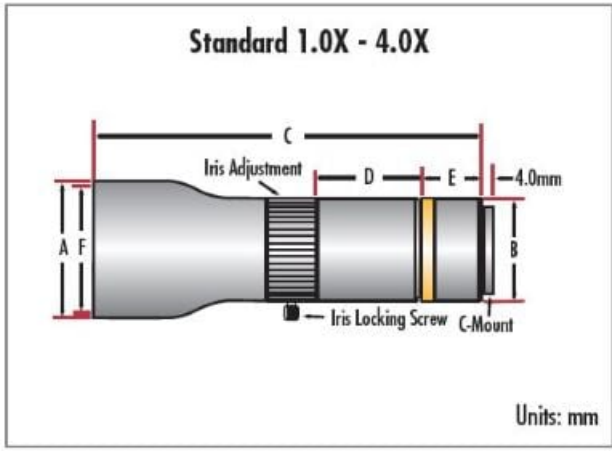
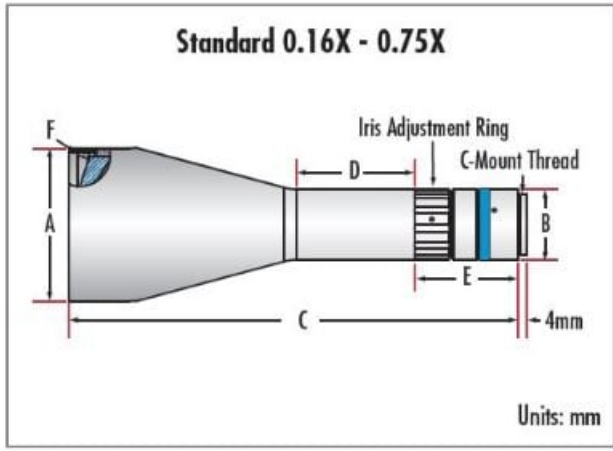


#88-348, 2.0X In-Line Illumination SilverTL™ Telecentric Lens, Modulated Transfer Function (MTF) Plot, 75mm Working Distance, f16



#88-348, 2.0X In-Line Illumination SilverTL™ Telecentric Lens, Depth of Field Plot, 75mm Working Distance, f16

Stock Number	Primary Mag.	Max Diameter A	Mbunting Diameter B	Length C	Mbunting Length D	Mounting Offset E	Filter Thread F
#56-675	0.16X	65mm	30mm	191mm	50mm	43mm	M62 x 0.75
#63-073	0.20X	60mm	30mm	188mm	42mm	45mm	M58 x 0.75
#56-676	0.25X	48mm	30mm	158mm	49mm	44mm	M46 x 0.75
#58-428	0.30X	46mm	30mm	158mm	60mm	43mm	M43 x 0.75
#56-677	0.40X	45mm	30mm	159mm	67mm	33mm	M43 x 0.75
#63-074	0.50X	40mm	30mm	153mm	42mm	68mm	M37 x 0.75
#88-344 (In-Line)				156.2mm	45.1mm	73.4mm	
#56-678	0.60X	42mm	30mm	156mm	57mm	46mm	M40.5 x 0.5
#67-731	0.75X	36mm	30mm	151.2mm	34mm*	82.2mm	M30.5 x 0.5
#88-346 (In-Line)				155.2mm	46.2mm	16.9mm	
#58-430	1.0X	40mm	30mm	114mm	32mm*	17mm	M37 x 0.75
#58-431	2.0X	45mm	30mm	141mm	45mm	17mm	M43 x 0.75
#88-348 (In-Line)				144.6mm	42.2mm	18.8mm	
#58-432	4.0X	61mm	30mm	249mm	99mm	17mm	M58 x 0.75



*Mounting clamp fits over iris