

[See all 10 Products in Family](#)

40X Oil Immersion Objective, Nikon CFI Super Fluor

See More by [Nikon](#)



Stock #75-346 NEW **1 In Stock**

€5.870⁰⁰

ADD TO CART

Volume Pricing	
Qty 1+	€5.870,00 each
Need More?	Request Quote

! Prices shown are exclusive of VAT/local taxes

Product Downloads

General

Model Number:
MRF01401

Compatible Tube Lens Focal Length (mm):
Focal Length: 200mm

Type:
Microscope Objective

Style:
InfinityCorrected

Manufacturer:

Nikon

Physical & Mechanical Properties

0.55 **Field of View (mm):**

64.80 **Length (mm):**

59.80 **Length excluding Threads (mm):**

32 **Maximum Diameter (mm):**

195 **Weight (g):**

Optical Properties

0.17 **Compatible Cover Glass Thickness (mm):**

0.16mm **Horizontal Field of View, 1/2" Sensor:**

0.22mm **Horizontal Field of View, 2/3" Sensor:**

40X **Magnification:**

1.30 **Numerical Aperture NA:**

0.19 **Working Distance (mm):**

22 **Field Number (mm):**

60.06 **Parfocal Length (mm):**

Oil **Immersion Liquid:**

Sensor

2/3" **Maximum Sensor Format:**

Threading & Mounting

M25 x 0.75 **Mounting Threads:**

Regulatory Compliance

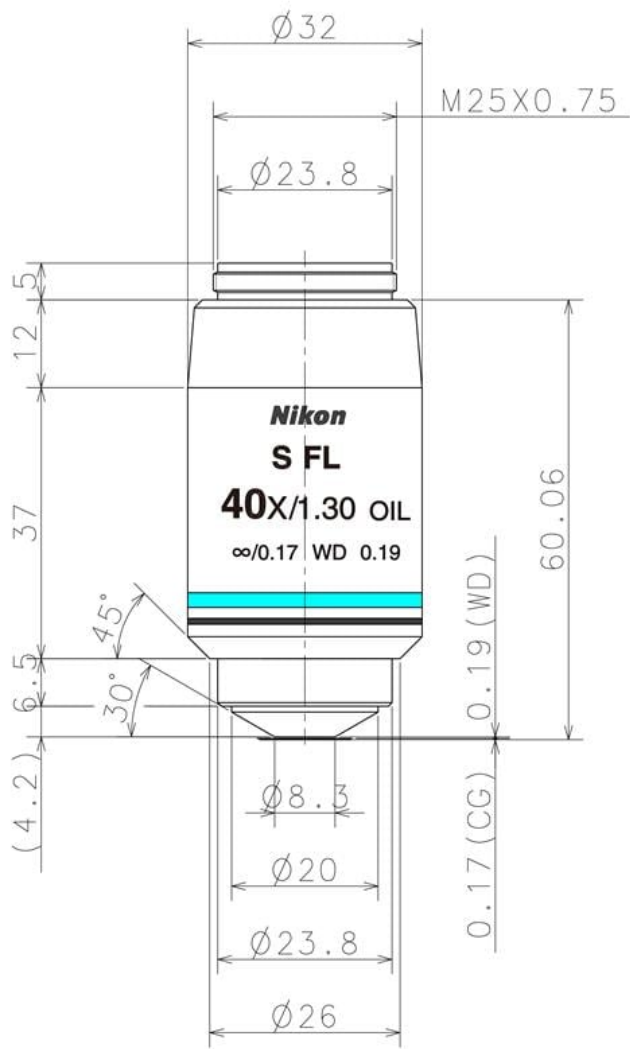
[View](#) **Certificate of Conformance:**

Product Details

- Superior UV Transmission
- High Numerical Aperture Designs
- Feature Low Auto-Fluorescence Materials

Nikon CFI Super Fluor Objectives are designed to provide superior transmission to ultraviolet applications operating down to 340nm, including for use with fluorochromes indo-1, fura-2, and fluo-3, or for photo-activation of caged compounds. Nikon CFI Super Fluor Objectives are designed using low auto-fluorescence materials along with high numerical apertures to guarantee sharp, bright fluorescence images. These microscope objectives have been optimized for improved signal-to-noise ratios at short wavelengths.

Technical Information



Dimensions (mm)						
Stock No.	Magnification	Parfocal Length	A	B	C	D
#75-345	4X	60.06	30.0	44.3	19.7	M25 x 0.75
#88-375	10X	60.06	32.0	58.9	12.0	M25 x 0.75
#88-376	20X	59.90	33.5	58.9	9.0	M25 x 0.75
#75-346	40X	60.06	32.0	59.8	8.3	M25 x 0.75

