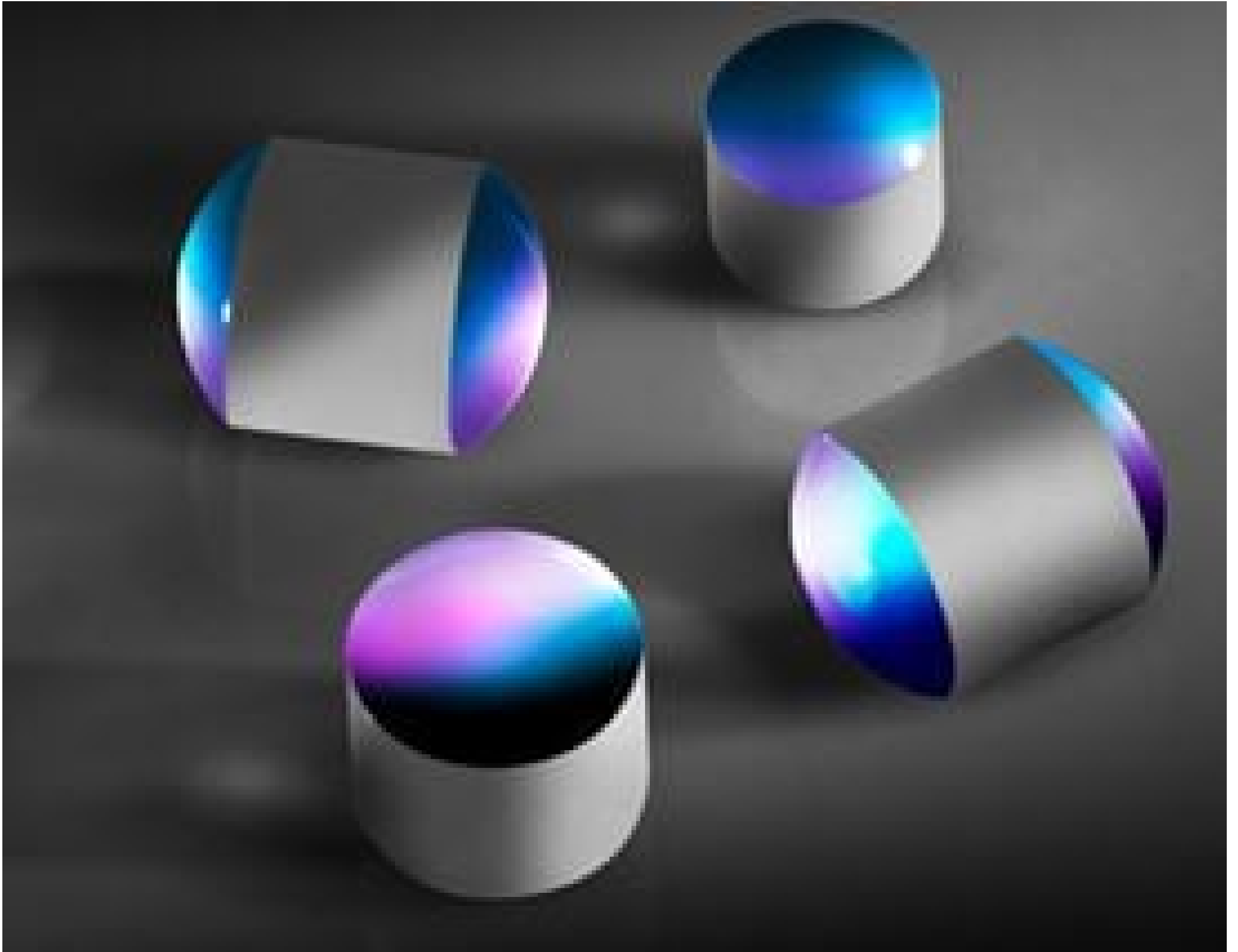


[See all 6 Products in Family](#)

**TECHSPEC® 2.4mm Diameter x 3.0mm Length NIR I Coated, N-BK7 Drum Lens**



Stock #45-837 [CONTACT US](#)

− 1 + €79.<sup>00</sup>

**ADD TO CART**

Volume Pricing	
Qty 1+	€79,00 each
Need More?	<a href="#">Request Quote</a>

ⓘ Prices shown are exclusive of VAT/local taxes

Product Downloads

**General**

Drum Lens **Type:**

**Physical & Mechanical Properties**

2.40 **Diameter (mm):**

3.00 **Length (mm):**

±3 **Length Tolerance (µm):**

1.50	<b>Radius R (mm):</b>
+0/-1.5	<b>Radius Tolerance (µm):</b>
+0/-50	<b>Diameter Tolerance (µm):</b>

## Optical Properties

<b>N-BK7</b>	<b>Substrate:</b> <input type="checkbox"/>
NIR I (600-1050nm)	<b>Coating:</b>
600 - 1050	<b>Wavelength Range (nm):</b>
R <sub>avg</sub> ≤ 0.5% @ 600 - 1050nm	<b>Coating Specification:</b>
1.517	<b>Index of Refraction (n<sub>d</sub>):</b>
40-20	<b>Surface Quality:</b>

## Regulatory Compliance

<b>Compliant</b>	<b>RoHS 2015:</b>
<b>View</b>	<b>Certificate of Conformance:</b>
<b>Compliant</b>	<b>Reach 235:</b>

### Need different specs or modifications?

Edmund Optics offers comprehensive custom manufacturing services for optical and imaging components tailored to your specific application requirements. Whether in the prototyping phase or preparing for full-scale production, we provide flexible solutions to meet your needs. Our experienced engineers are here to assist—from concept to completion.

Our capabilities include:

- Custom dimensions, materials, coatings, and more
- High-precision surface quality and flatness
- Tight tolerances and complex geometries
- Scalable production—from prototype to volume

Learn more about our [custom manufacturing capabilities](#) or submit an inquiry [here](#).

## Product Details

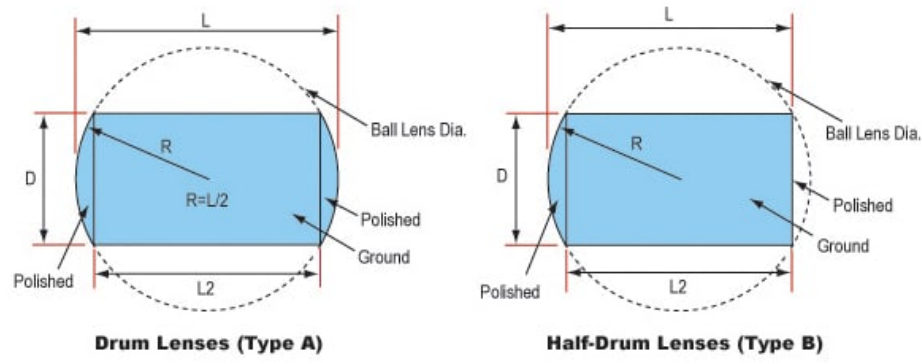
- Easier to Mount and Handle Than Standard Ball Lenses

Drum lenses are glass spheres, ground down axially to provide a mounting surface. The ground circumference D simplifies handling issues typically associated with ball lenses. Ideal for optical transmission in fiber communications. Type B Drum lenses have a polished plano-surface for direct fiber contact and perform as elongated PCX lenses.

## Technical Information

D	Radius R	Length	Length L2	Stock No.
<b>Type A Drum Lenses</b>				
2mm	1.25mm	2.5mm	1.5mm	<a href="#">#45-548</a>
				<a href="#">#45-739</a>
				<a href="#">#45-836</a>
				<a href="#">#45-663</a>
				<a href="#">#45-743</a>
2.4mm	1.5mm	3mm	1.8mm	<a href="#">#45-549</a>
				<a href="#">#45-837</a>
				<a href="#">#45-664</a>
				<a href="#">#45-744</a>
3.2mm	2mm	4mm	2.4mm	<a href="#">#45-550</a>
				<a href="#">#45-741</a>
				<a href="#">#45-838</a>
				<a href="#">#45-665</a>
				<a href="#">#45-745</a>
4mm	2.5mm	5mm	3mm	<a href="#">#45-551</a>
				<a href="#">#45-839</a>

				#45-742
				#45-666
<b>Type B Half-Drum Lenses</b>				
2mm	1.25mm	2mm	1.5mm	#46-524
				#46-528
2.4mm	1.5mm	2.4mm	1.8mm	#46-525
				#46-529
3.2mm	2mm	3.2mm	2.4mm	#46-526
				#46-530
4mm	2.5mm	4mm	3mm	#46-527
				#46-531



;