

[See all 49 Products in Family](#)

TECHSPEC® 25.25mm Optical Axis Offset Prism Adapter for 32mm Dia. Lens



Optical Axis Offset Prism Adapter



Stock #11-128 **1 In Stock**

⊖ 1 ⊕ €378⁰⁰

ADD TO CART

Volume Pricing	
Qty 1+	€378,00 each
Need More?	Request Quote

ⓘ Prices shown are exclusive of VAT/local taxes

Product Downloads

General

Edmund Optics® **Manufacturer:**

Lens Accessory **Type:**

32 **Compatible Telecentric Lens Diameter (mm):**

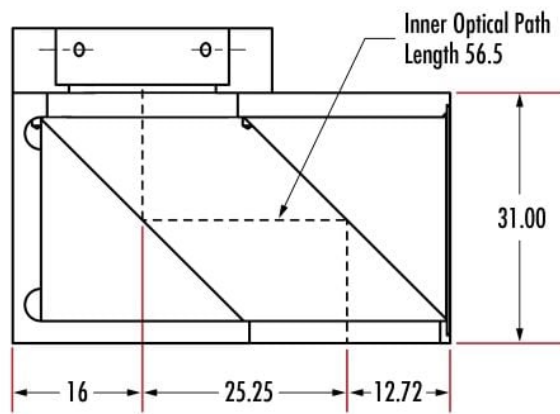
[View](#)

Product Details

- 2/3", C-Mount Telecentric Lens
- Up to 2.3 MegaPixels, 4.5µm Pixel Size Sensors
- Small Telecentric Lens with Coaxial Illumination Options

TECHSPEC® CompactTL™ Telecentric Lenses are designed for applications with tight space constraints due to their ultra-compact design. These lenses feature a 2/3" sensor format and a variety of different working distance and magnification options. From single unit to high volume implementation, these lenses provide a great price to performance ratio. TECHSPEC® CompactTL™ Telecentric Lenses are perfect for integration into gauging systems due to their excellent telecentricity and low distortion. The fixed iris and lockable focus make these lenses ideal for implementation into factory floors and assembly lines, as they will remain fixed over time.

Technical Information



25.25mm Optical Axis Offset Prism Adapter (Units: mm)