

[See all 12 Products in Family](#)

TECHSPEC® 2mm, Alum. & AR Coated, N-SF11 Micro Right Angle Prism



N-SF11 Right Angle Prisms

Stock **#47-922** [CONTACT US](#)

⊖ 1 ⊕ €176.⁰⁰

ADD TO CART

Volume Pricing	
Qty 1-5	€176,00 each
Qty 6-25	€159,00 each
Qty 26-49	€141,00 each
Need More?	Request Quote

! Prices shown are exclusive of VAT/local taxes

Product Downloads

General

Right Angle Prism **Type:**

Physical & Mechanical Properties

±0.05 **Dimensional Tolerance (mm):**

Bevel:

Protective as needed

Length of Hypotenuse (mm):

2.80

Length of Legs (mm):

2.00

Optical Properties

Coating:

MgF₂ & Aluminized

Substrate:

N-SF11

Surface Quality:

20-10

Angle Tolerance (arcmin):

±2

Image Orientation:

Left-Handed

Coating Specification:

Legs: R_{avg} ≤ 1.75% @ 400 - 700nm
Hypotenuse: R_{avg} > 85% @ 400 - 700nm w/Black
Overpaint

Ray Deviation (°):

90

Wavelength Range (nm):

400 - 700

Damage Threshold, By Design:

Hypotenuse: 0.3 J/cm² @ 532nm & 1064nm, 10ns
Legs: 10 J/cm² @ 532nm, 10ns

Power (fringes) @ 632.8nm:

1.25

Irregularity (fringes) @ 632.8nm:

0.25

Regulatory Compliance

RoHS 2015:

Compliant

Certificate of Conformance:

[View](#)

Reach 235:

Compliant

Need different specs or modifications?

Edmund Optics offers comprehensive custom manufacturing services for optical and imaging components tailored to your specific application requirements. Whether in the prototyping phase or preparing for full-scale production, we provide flexible solutions to meet your needs. Our experienced engineers are here to assist—from concept to completion.

Our capabilities include:

- Custom dimensions, materials, coatings, and more
- High-precision surface quality and flatness
- Tight tolerances and complex geometries
- Scalable production—from prototype to volume

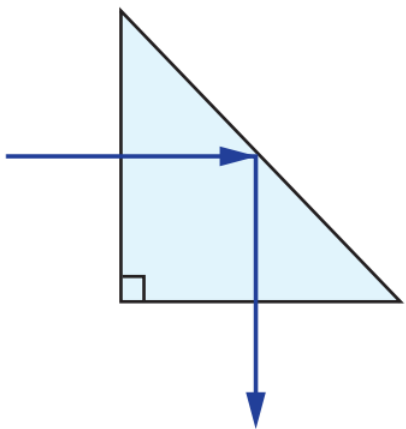
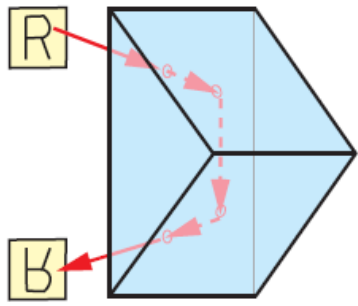
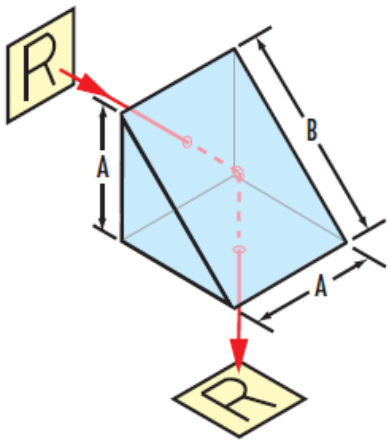
Learn more about our [custom manufacturing capabilities](#) or submit an inquiry [here](#).

Product Details

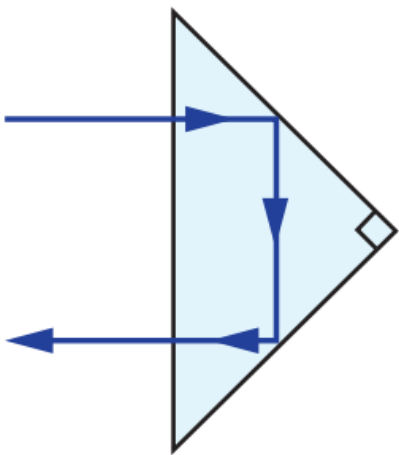
- Ray Deviation of 90°
- Left Handed Image
- High Refractive Index Material
- Additional [Right Angle Prism](#) Options Available

TECHSPEC® N-SF11 Right Angle Prisms are made from high index N-SF11. Right angle prisms are generally used to bend image paths or redirect light at 90°. This produces a left-handed image, and depending on the orientation of the prism, the image may be inverted or reverted. Right angle prisms can also be used in combination for image/beam displacement. TECHSPEC® N-SF11 Right Angle Prisms have a high refractive index that increases the optical path length, thus reducing physical working distance requirements. These lenses are available uncoated or with an aluminized hypotenuse and anti-reflection coated faces.

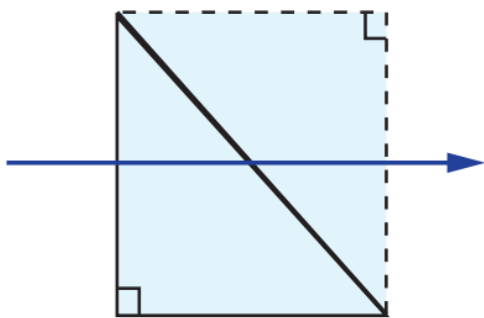
Technical Information



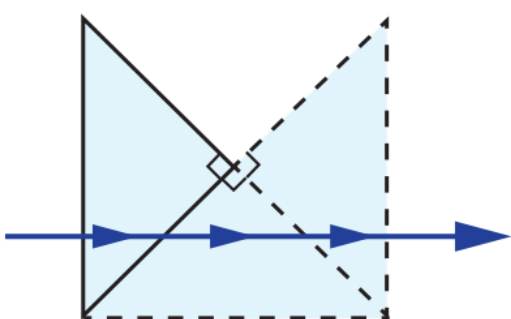
Right Angle Prism Ray Path



Right Angle Prism Ray Path



Right Angle Prism Tunnel Diagram



Right Angle Prism Tunnel Diagram

