

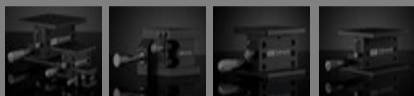
[All Products](#) / [Optomechanics](#) / [Vertical Translation Stages](#)

[See all 20 Products in Family](#)

TECHSPEC® 30mm



TECHSPEC® Vertical Translation Stages



Please select your shipping country to view the most accurate inventory information, and to determine the correct Edmund Optics sales office for your order.

Select Your Country/Region: European Union

Submit

1

€645⁰⁰

ADD TO CART

Volume Pricing

Qty 1-2 €645,00 each

Qty 3+ €562,80 each

Need More? [Request Quote](#)

Prices shown are exclusive of VAT/local taxes

Product Downloads

- STEP:step
- PDF Drawing:pdf
- IGES:igs
- eDrawing:eprt
- EO Spec Sheet
- [Download All](#)

General

Type: Metric

Physical & Mechanical Properties

Type of Movement: Linear (Z)

Guide System: Crossed Roller Bearing

Stage Size (mm): 30 x 30

Travel (mm): 5

Center Hole: M6 x 1

Construction: Aluminium Stage

Leadscrew Pitch (mm): 0.5

Load Capacity (kg): 1.5

Stage Size (inches): 1.18 x 1.18

Straight Line Accuracy (µm): 3

Hardware & Interface Connectivity

Type of Drive: Lead Screw

Threading & Mounting

Mounting Threads: (1) M6 x 1, (8) M2 x 0.4

Regulatory Compliance

RoHS 2015: **Compliant**

Certificate of Conformance: [View](#)

REACH 241: **Compliant**

Product Details

Bottom adapter plates, sold separately, are required to mount 30mm and 40mm stages to standard breadboards.

- Mechanically Compatible with our **TECHSPEC® Stages**
- Fine Micrometer Movement
- Locking Screw on Stages

Our newly developed precision TECHSPEC® Vertical Stages feature a high-precision guide system that provides high accuracy, rigidity and load capacity. Each stage is designed to allow the user to create a number of multi-axis configurations. These stages have a locking screw to prevent unwanted movement. The stages are available in both English and Metric.

Please select your shipping country to view the most accurate inventory information, and to determine the correct Edmund Optics sales office for your order.

Select Your Country/Region:

Our newly developed precision TECHSPEC® Vertical Stages feature a high-precision guide system that provides high accuracy, rigidity and load capacity. Each stage is designed to allow the user to create a number of multi-axis configurations. These stages have a locking screw to prevent unwanted movement. The stages are available in both English and Metric.

Technical Information

Accessories

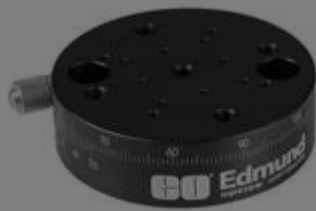
Note: Compatible accessories for individual stock numbers may vary. If unsure about which accessories work with your products, please contact us [here](#).

	Title	Compare	Stock Number	Price	Buy
MORE+	Bottom Adapter Plate for 30mm/40mm Stages, English		#66-491	€77,50 Volume Pricing Request Quote	5 In Stock <input type="text" value="1"/>
MORE+	Top Adapter Plate for 30mm/40mm Stages, English		#66-492	€77,50 Volume Pricing Request Quote	20+ In Stock <input type="text" value="1"/>
MORE+	Top Adapter Plate for 30mm/40mm Stages, Metric		#66-493	€77,50 Volume Pricing Request Quote	CONTACT US <input type="text" value="1"/>
MORE+	Bottom Adapter Plate for 30mm/40mm Stages, Metric		#66-620	€77,50 Request Quote	1 In Stock <input type="text" value="1"/>

Related Products



Crossed-Roller Bearing Linear Translation Stages (Standard-Top Model)



Rotary Stages

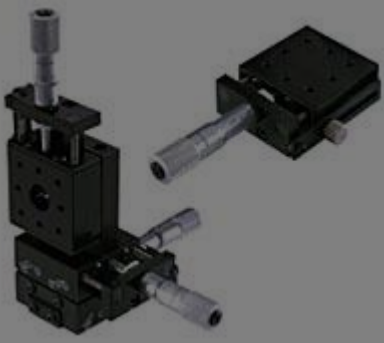


Tip-Tilt Stages



Goniometers

Frequently Purchased Together



#56-355 - 13mm Travel, Metric
Micrometer, Thru-Hole Ball
Bearing Stage
€540,00

Qty

Please select your shipping country to view the most accurate inventory information, and to determine the correct Edmund Optics sales office for your order.

Select Your Country/Region:

€105,00

Qty

€131,00

Qty

#66-390 - 30mm, Center Drive,
Standard Top, 0.5" Travel,
Metric Stage
€359,00

Qty

Resources

Media Type

- Video
- FAQ
- Glossary
- Application Note

▶ VIDEO

Important
Concepts for
Selecting
Manual...

▶ VIDEO

Multi-Axis
Translation
Stage
Confiauratio...

▶ VIDEO

Multi-Axis
Translation
Stage
Confiauratio...

▶ VIDEO

Translation
Stage
Specifications
to Know

? FAQ

How do I
mount a ball
bearing linear
translation...

? FAQ

Do you sell X-Z
translation
staaes?

[View More](#)