

TECHSPEC® 40mm, Center Drive, Standard Top, English Stage



40mm, 0.5" Travel, Lead Screw Drive Stage (Center Drive)

Stock #66-402 **1 In Stock**

⊖ 1 ⊕ €391⁰⁰

ADD TO CART

Volume Pricing

Qty 1-2	€391,00 each
Qty 3+	€341,40 each
Need More?	Request Quote

ⓘ Prices shown are exclusive of VAT/local taxes

Product Downloads

General

English **Type:**

Physical & Mechanical Properties

Linear (X) **Type of Movement:**

Crossed Roller Bearing **Guide System:**

30mm Standard-Top Stages - Center Drive



30mm Standard-Top Stages - Side Drive



40mm Standard-Top Stages - Center Drive



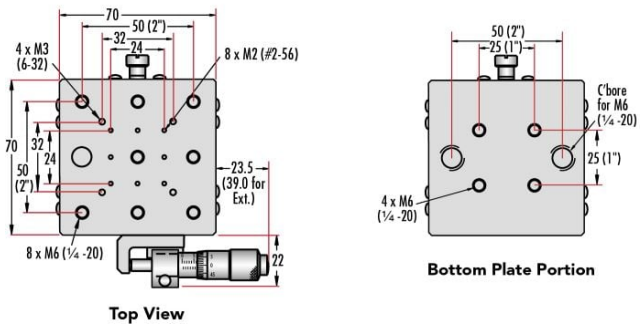
40mm Standard-Top Stages - Side Drive



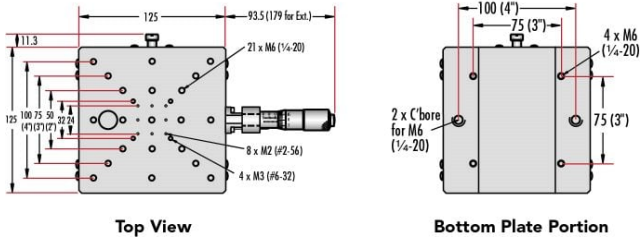
70mm Standard-Top Stages - Center Drive



70mm Standard-Top Stages - Side Drive



125mm Standard-Top Stages - Center Drive



125mm Standard-Top Stages - Side Drive

