

## 4μm λ/2 MWIR Zero Order Waveplate



Stock #85-118 **1 In Stock**

⊖ 1 ⊕ €1.045<sup>00</sup>

**ADD TO CART**

Volume Pricing	
Qty 1-9	€1.045,00 each
Qty 10+	€935,00 each
Need More?	<a href="#">Request Quote</a>

**!** Prices shown are exclusive of VAT/local taxes

Product Downloads

**General**

Crystalline Waveplate **Type:**

**Physical & Mechanical Properties**

10.0 **Clear Aperture CA (mm):**

25.40 **Diameter (mm):**

3 **Parallelism (arcmin):**

Crystalline **Construction:**

## Optical Properties

4000 **Design Wavelength DWL (nm):**

MgF<sub>2</sub> **Substrate:** □

$\lambda/2$  **Retardance:**

60-40 **Surface Quality:**

< $\lambda/8$  @ 632.8nm **Transmitted Wavefront, P-V:**

$\lambda/100$  @ 20°C **Retardance Tolerance:**

0 **Retardance Order:**

## Threading & Mounting

6.0 **Mount Thickness (mm):**

## Regulatory Compliance

[Compliant](#) **RoHS 2015:**

[View](#) **Certificate of Conformance:**

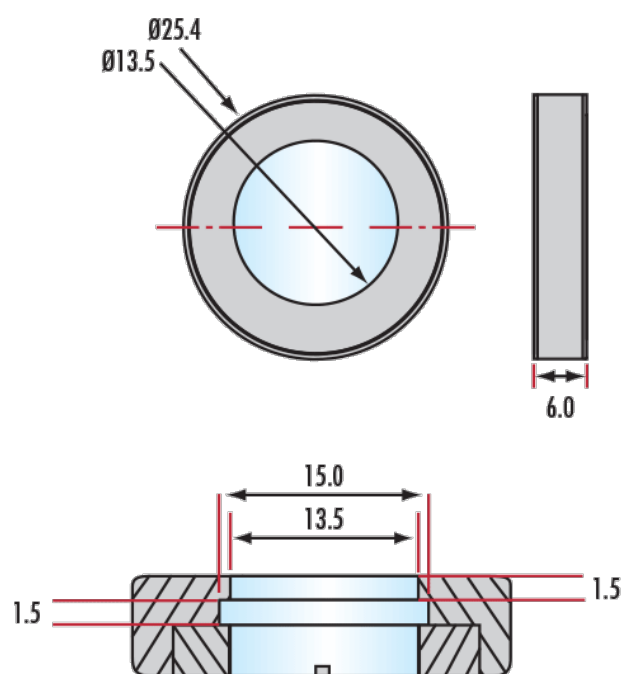
[Compliant](#) **Reach 247:**

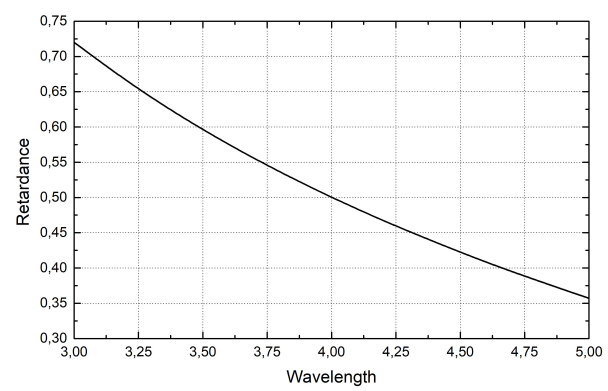
## Product Details

- Ideal for Applications in the 3 – 7 $\mu$ m Range
- $\lambda/4$  and  $\lambda/2$  Retardance
- Mounted for Easy Alignment and System Integration

Our zero order Mid-Wave Infrared (MMIR) Waveplates are designed for applications in the 3 – 7 $\mu$ m wavelength range. When compared to multiple order waveplates, zero order waveplates provide increased bandwidth and lower sensitivity to temperature change. These waveplates are available with  $\lambda/4$  or  $\lambda/2$  retardance in a range of wavelengths, offer efficient retardation over broad spectral ranges, and are ideal for a variety of infrared (IR) applications. Each MMIR waveplate is anti-reflection coated, and has been mounted to ease system integration.

## Technical Information





;