

## 4X DIN Plan Commercial Grade Objective



Stock #67-706 **7 In Stock**

- 1 + €155.<sup>00</sup>

**ADD TO CART**

Volume Pricing	
Qty 1+	€155,00 each
Need More?	<a href="#">Request Quote</a>

ⓘ Prices shown are exclusive of VAT/local taxes

### Product Downloads

### General

Plan **Type:**  
Finite Conjugate **Style:**

### Physical & Mechanical Properties

30.00 **Length excluding Threads (mm):**

24 **Maximum Diameter (mm):**

## Optical Properties

Effective Focal Length EFL (mm):

28.91

Magnification:

4X

Numerical Aperture NA:

0.10

Working Distance (mm):

15.25

Parfocal Length (mm):

45.25

Immersion Liquid:

N/A

## Threading & Mounting

Mounting Threads:

0.7965-36 TPI, 55° Whitworth

## Environmental & Durability Factors

Operating Temperature (°C):

5 to 40

Storage Temperature (°C):

-20 to 60

Operating Relative Humidity:

45% to 85%

## Regulatory Compliance

RoHS 2015:

[Compliant](#)

Certificate of Conformance:

[View](#)

## Product Details

- Achromatic and Plan Designs
- Use with T- and C-Mounting Systems
- Ideal for OEM Applications

Commercial Grade Standard Microscope Objectives are designed for a wide variety of applications. These objectives are provided in both achromatic and plan designs. Using DIN standard, 0.7965" (20.1mm) dia. threads, 36 TPI, 55° Whitworth, these objectives will fit into most microscope and spatial filter assemblies. Commercial Grade Standard Microscope Objectives, used in conjunction with our [T- and C-mounting systems](#), are an ideal solution for OEM production use. These objectives are offered in 4X, 10X, 40X, and 100X magnifications.

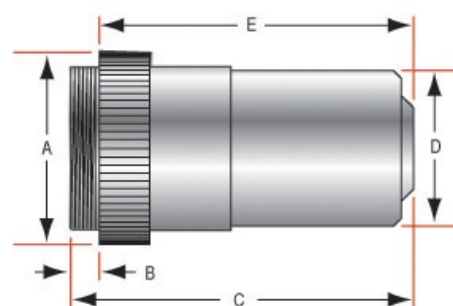
**Note:** 40X and 100X versions are spring loaded. 100X version is also oil immersion type.

## Technical Information

Stock No.	A	B	C	D	E
<a href="#">#43-902</a>	24	3.7	31	19	26
<a href="#">#43-903</a>	24	3.7	43	19	40
<a href="#">#43-904</a>	24	3.7	48.8	20	45.8
<a href="#">#43-905</a>	24	3.7	48.8	20	45.8

<a href="#">#67-706</a>	24	3.7	34	22	30
<a href="#">#43-907</a>	24	3.7	47.6	22	44
<a href="#">#43-908</a>	24	3.7	49	22	46
<a href="#">#43-909</a>	24	3.7	48	22	46

Commercial Grade Standard Microscope Objectives



Units: mm

