

4X Objective, Nikon CFI Super Fluor

See More by [Nikon](#)



Stock #75-345 NEW CONTACT US

⊖ 1 ⊕ €5.390⁰⁰

ADD TO CART

Volume Pricing

| | |
|------------|-------------------------------|
| Qty 1+ | €5.390,00 each |
| Need More? | Request Quote |

● Prices shown are exclusive of VAT/local taxes

Product Downloads

General

Model Number:
MRF00041

Compatible Tube Lens Focal Length (mm):
Focal Length: 200mm

Microscope Objective Type:
Infinity Corrected

Style:
Nikon

Manufacturer:
Nikon

Physical & Mechanical Properties

Field of View (mm):

5.5

Length (mm):

49.30

Length excluding Threads (mm):

44.30

Maximum Diameter (mm):

32

Weight (g):

110

Optical Properties

Compatible Cover Glass Thickness (mm):

0.17

Horizontal Field of View, 1/2" Sensor:

1.60mm

Horizontal Field of View, 2/3" Sensor:

2.20mm

Magnification:

4X

Numerical Aperture NA:

0.20

Working Distance (mm):

15.5

Field Number (mm):

22

Parfocal Length (mm):

60.06

Immersion Liquid:

N/A

Sensor

Maximum Sensor Format:

2/3"

Threading & Mounting

Mounting Threads:

M25 x 0.75

Regulatory Compliance

Certificate of Conformance:

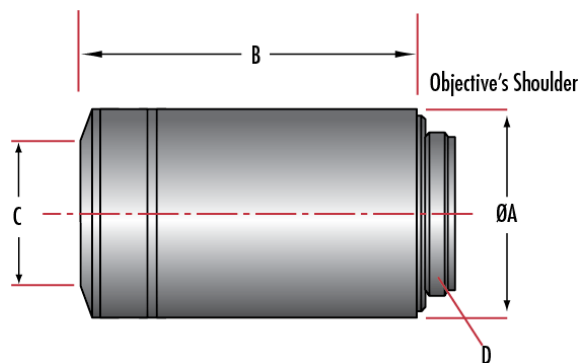
[View](#)

Product Details

- Superior UV Transmission
- High Numerical Aperture Designs
- Feature Low Auto-Fluorescence Materials

Nikon CFI Super Fluor Objectives are designed to provide superior transmission to ultraviolet applications operating down to 340nm, including for use with fluorochromes indo-1, fura-2, and fluo-3, or for photo-activation of caged compounds. Nikon CFI Super Fluor Objectives are designed using low auto-fluorescence materials along with high numerical apertures to guarantee sharp, bright fluorescence images. These microscope objectives have been optimized for improved signal-to-noise ratios at short wavelengths.

Technical Information



| Dimensions (mm) | | | | | | |
|-------------------------|---------------|------------------|------|------|------|---------|
| Stock No. | Magnification | Parafocal Length | A | B | C | D |
| #88-374 | 4X | 60.06 | 30.0 | 44.4 | 19.7 | M25 x 0 |
| #88-375 | 10X | 60.06 | 32.0 | 58.7 | 8.0 | M25 x 0 |
| #88-376 | 20X | 60.06 | 33.5 | 58.9 | 9.0 | M25 x 0 |
| #88-377 | 40X | 60.06 | 33.0 | 59.6 | 7.5 | M25 x 0 |