

TECHSPEC® 5mm Diameter, S-Mount Thick Optic Mount



Stock #63-948 **2 In Stock**

- 1 + €37.⁰⁰

ADD TO CART

Volume Pricing	
Qty 1-4	€37,00 each
Qty 5-9	€33,20 each
Qty 10-25	€30,80 each
Need More?	Request Quote

ⓘ Prices shown are exclusive of VAT/local taxes

Product Downloads

SPECIFICATIONS

General

Fixed **Type:**

Circular **Type of Optics:**

Optic Mount (Fixed) **Function:**

Physical & Mechanical Properties

9.7 **Extension Length (mm):**

12.7 **Total Length (mm):**

16.00 **Outer Diameter (mm):**

3.8 **Clear Aperture CA (mm):**

6.5 **Max. Thickness of Compatible Optics (mm):**

1.0 **Min. Thickness of Compatible Optics (mm):**

Threading & Mounting

5.0 **Diameter of Compatible Optics (mm):**

S-Mount **Thread Type:**

Regulatory Compliance

[Compliant](#) **RoHS 2015:**

[View](#) **Certificate of Conformance:**

[Compliant](#) **REACH 241:**

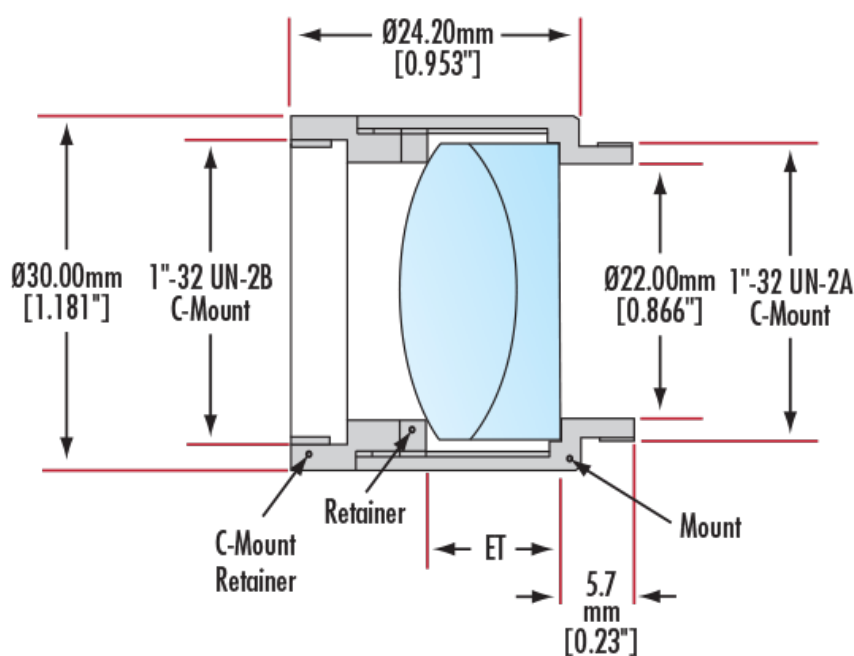
PRODUCT DETAILS

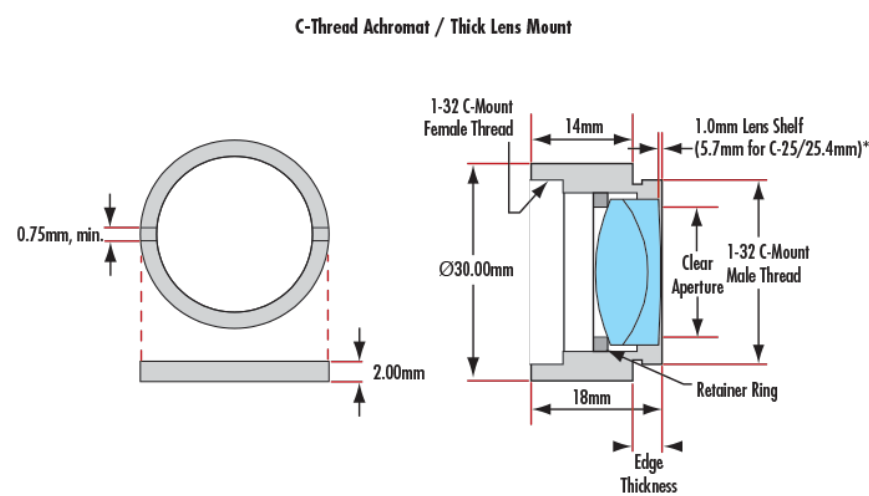
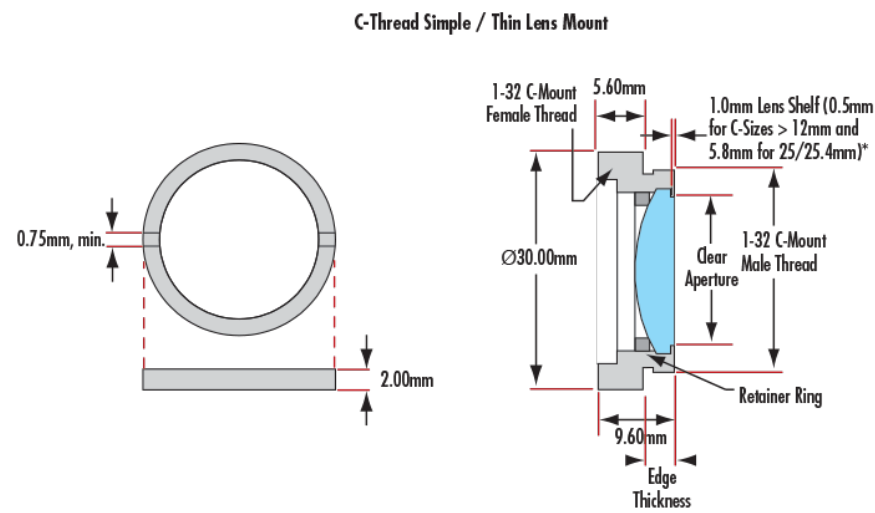
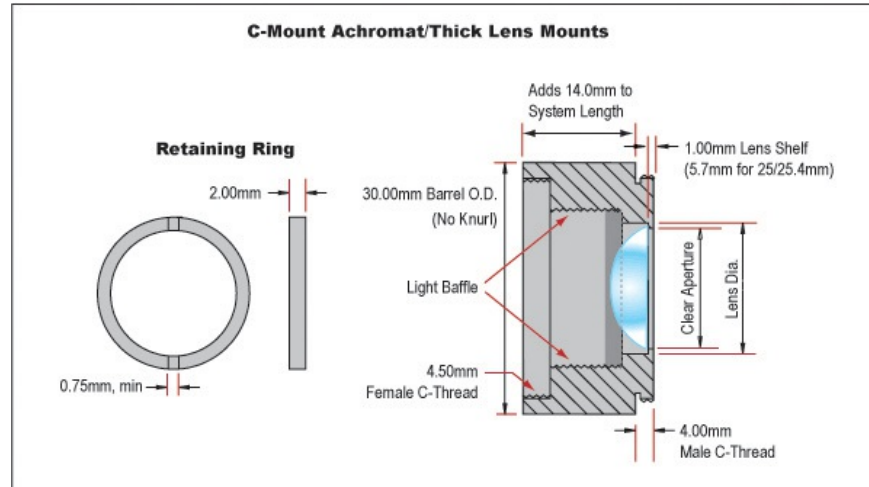
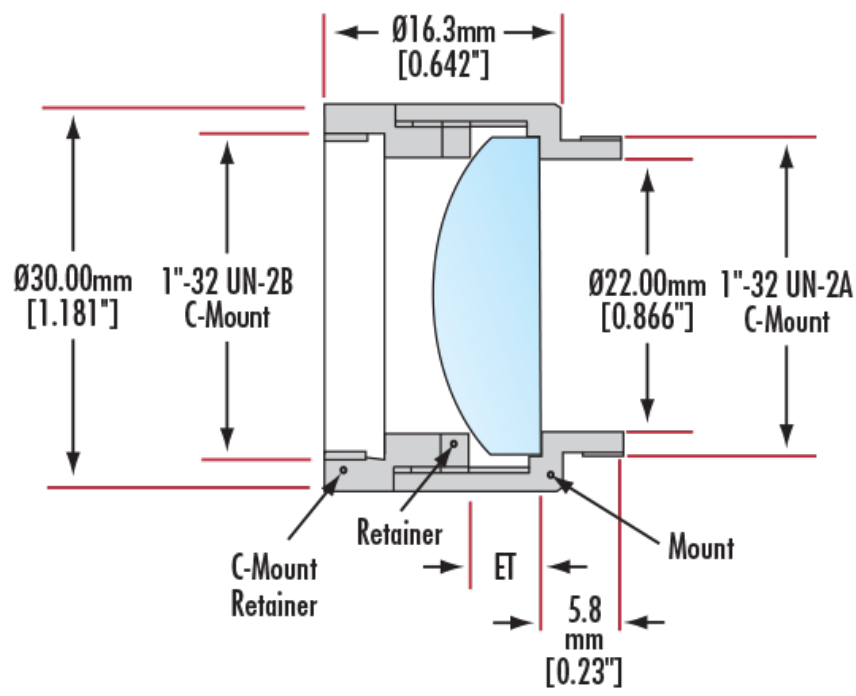
- Mounts for Simple Lenses, Achromats, Filters, or Reticles
- Designed to Integrate with Any C, S, or T-Mount Components
- Optic is Held in Place with Included Retaining Ring

TECHSPEC® C, S, and T-Mount Circular Optic Mounts are designed to mount a variety of circular optical components into C, S, or T-Mount compatible systems. An included threaded retainer ring, designed to accept a standard spanner wrench, securely holds the optical component. These circular optic mounts are compatible with a wide variety of Edmund Optics optomechanical components utilizing C, S, or T-Mount threads, such as [extension tubes](#) and [kinematic mounts](#). TECHSPEC® C, S, and T-Mount Circular Optic Mounts are threaded for 1" x 32TPI, M12 x 0.5, or M42 x 0.75 mounting, with 30mm, 16mm, and 48mm outer diameters, respectively. These mounts are ideal for creating and personalization of a diverse range of optical systems.

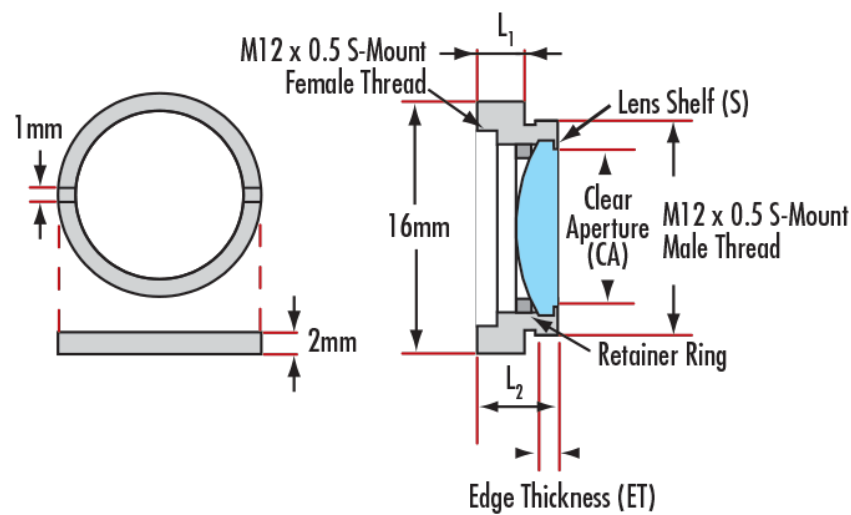
Note: #56-353, #56-354, #52-933, and #52-292 are all 3-part assemblies

TECHNICAL INFORMATION

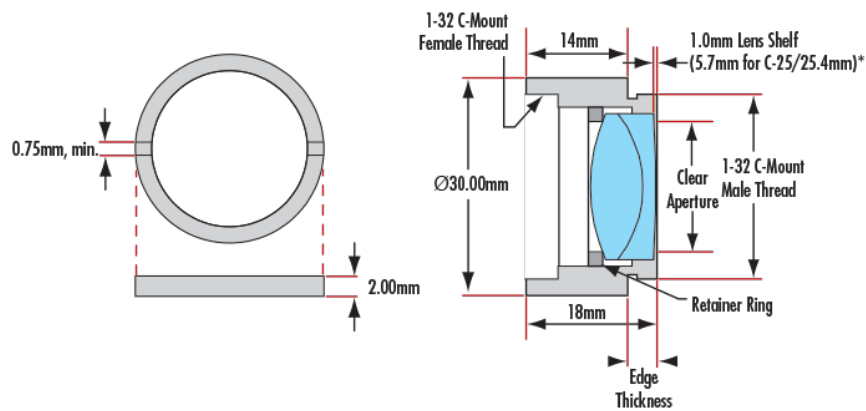




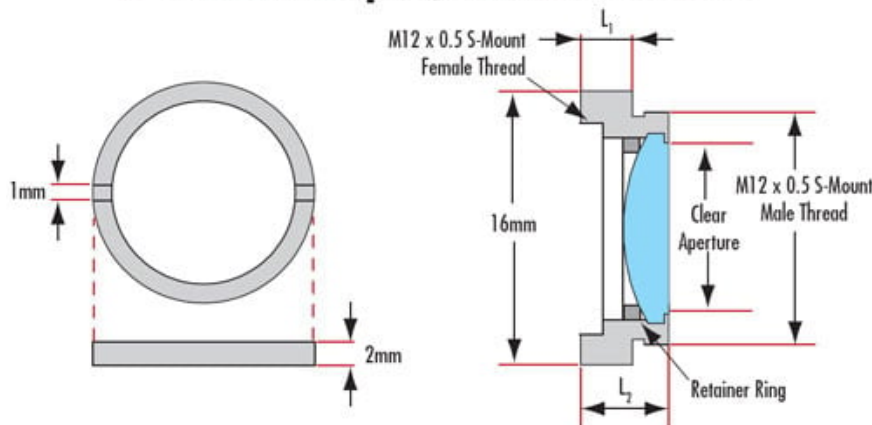
S-Thread Simple / Thin Lens Mount



C-Thread Achromat / Thick Lens Mount



S-Thread Simple /Thin Lens Mount



S-Thread Achromat / Thick Lens Mount

