

[See all 10 Products in Family](#)

5μm λ/2 MWIR Zero Order Waveplate



Stock #85-119 **2 In Stock**

⊖ 1 ⊕ €1.045⁰⁰

ADD TO CART

Volume Pricing

Qty 1-9	€1.045,00 each
Qty 10+	€935,00 each
Need More?	Request Quote

ⓘ Prices shown are exclusive of VAT/local taxes

Product Downloads

General

Crystalline Waveplate **Type:**

Physical & Mechanical Properties

10.0 **Clear Aperture CA (mm):**

25.40 **Diameter (mm):**

3 **Parallelism (arcmin):**

Crystalline **Construction:**

Optical Properties

5000 **Design Wavelength DWL (nm):**

MgF₂ **Substrate:** □

$\lambda/2$ **Retardance:**

60-40 **Surface Quality:**

< $\lambda/8$ @ 632.8nm **Transmitted Wavefront, P-V:**

$\lambda/100$ @ 20°C **Retardance Tolerance:**

0 **Retardance Order:**

Threading & Mounting

6.0 **Mount Thickness (mm):**

Regulatory Compliance

[Compliant](#) **RoHS 2015:**

[View](#) **Certificate of Conformance:**

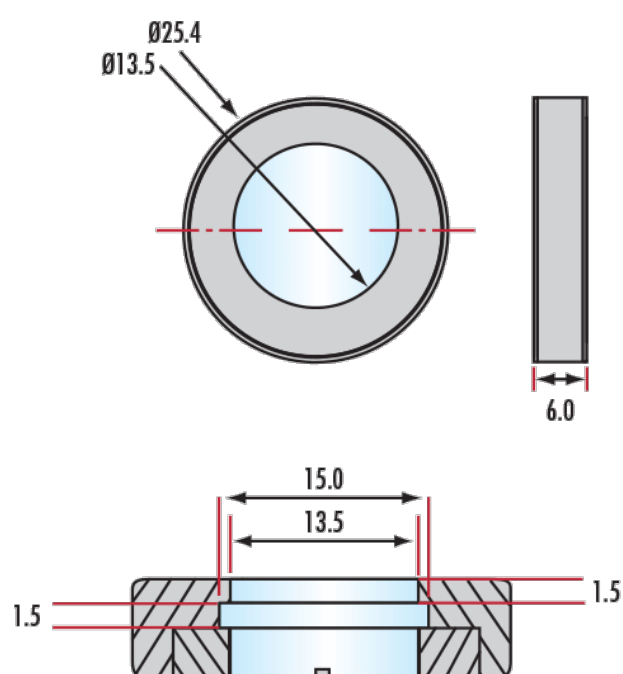
[Compliant](#) **Reach 247:**

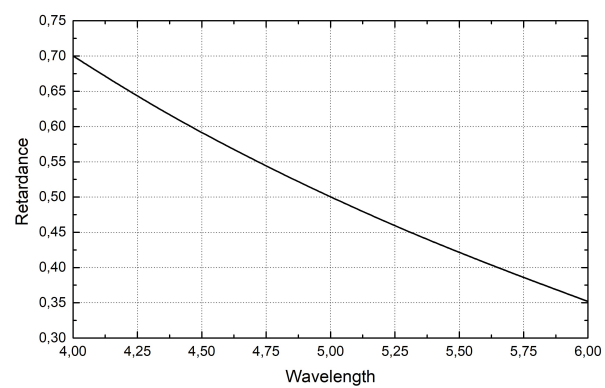
Product Details

- Ideal for Applications in the 3 – 7 μ m Range
- $\lambda/4$ and $\lambda/2$ Retardance
- Mounted for Easy Alignment and System Integration

Our zero order Mid-Wave Infrared (MMIR) Waveplates are designed for applications in the 3 – 7 μ m wavelength range. When compared to multiple order waveplates, zero order waveplates provide increased bandwidth and lower sensitivity to temperature change. These waveplates are available with $\lambda/4$ or $\lambda/2$ retardance in a range of wavelengths, offer efficient retardation over broad spectral ranges, and are ideal for a variety of infrared (IR) applications. Each MMIR waveplate is anti-reflection coated, and has been mounted to ease system integration.

Technical Information





;